

AiM user guide

Solo2 DL, XLog and EVO4S
cables for Yamaha
MT-07, FZ-07, MT-09, FZ09
from 2014 to 2020

Release 1.01



KIT





1

Supported models and years

This user guide explains how to connect AiM Solo 2 DL, XLog and EVO4S to Yamaha bikes ECU.

Supported models and years are:

- Yamaha MT-07 2014-2020
- Yamaha FZ-07 2014-2020
- Yamaha MT-09 2014-2020
- Yamaha FZ-09 2014-2020

Warning: for this models/years AiM recommends not to remove the stock dash. Doing so will disable some of the bike functions or safety controls. AiM Tech srl will not be held responsible for any consequence that may result from the replacement of the original instrumentation cluster.

2 Connection cables

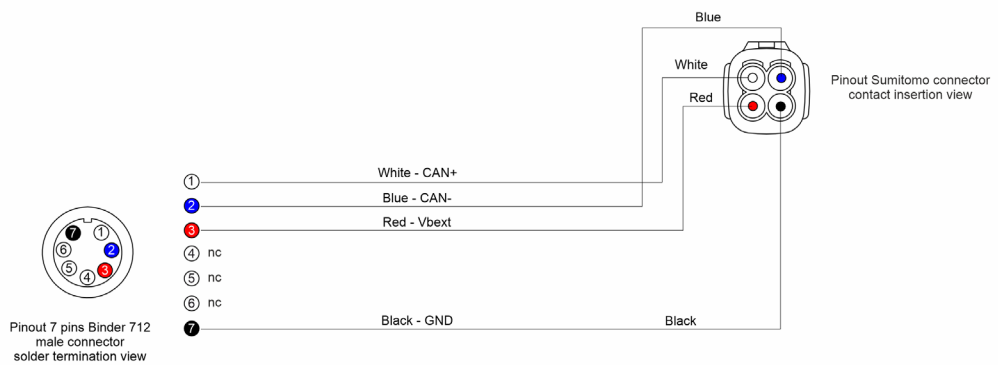
AiM developed specific connection cables for Solo 2 DL, XLog and EVO4S according to the bike model and year.

2.1 AiM CAN cables for Solo 2 DL and XLog

Part number of AiM Solo 2 DL and XLog CAN cable for these Yamaha bikes is **V02569340**.



The image below shows the cable constructive scheme.

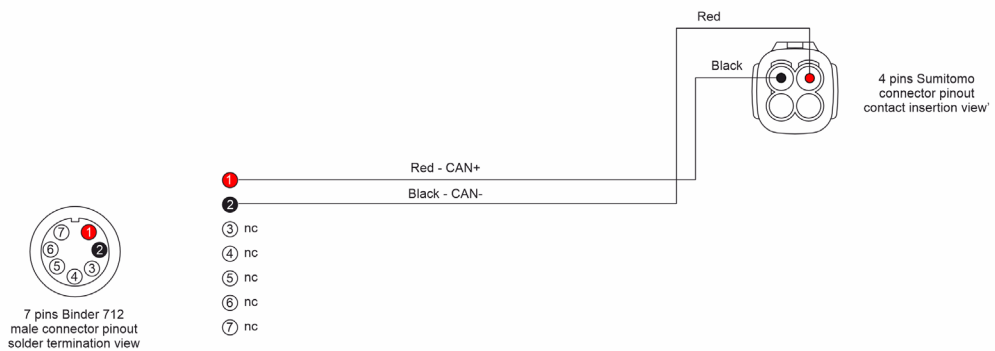


2.2 AiM CAN cables for EVO4S

Part number of AiM CAN cable for EVO4S cable for these Yamaha bikes – shown below – is **V02585150**.



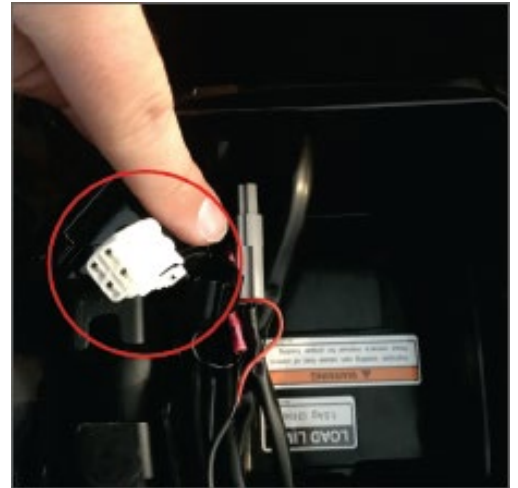
The image below shows the cable construction scheme.



3

Solo 2 DL, XLog and EVO4S connection

Yamaha bikes communicates using the CAN bus. It can be reached on the 4 pins diagnostic Sumitomo connector placed under the bike tail.

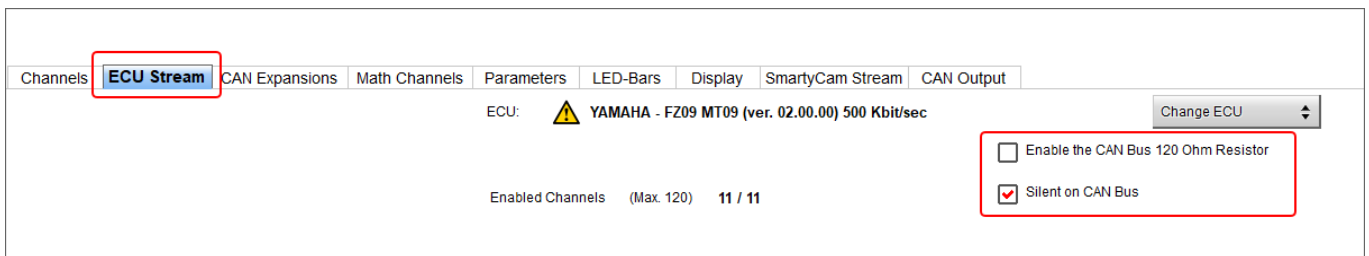


4 RaceStudio 3 configuration

Before connecting AiM devices to the bike ECU set all functions using AiM RaceStudio 3 software. The parameters to select in the device configuration are:

- ECU Manufacturer: **"Yamaha"**
- ECU Model: **"FZ09 MT09"** (RaceStudio 3 only)

After this first selection enable "Silent mode on CAN Bus" checkbox in the device configuration ("ECU Stream" tab) as shown here below.



5

“Yamaha – FZ09 MT09” protocol

Channels received by AiM devices configured with "Yamaha – FZ09 MT09" protocol are:

CHANNEL NAME	FUNCTION
RPM	RPM
Speed	Vehicle speed
Speed 2	Vehicle speed 2
Water Temp	Water temperature
Air Temp	Air temperature
PPS	Handle throttle position
TPS	Throttle position sensor
Gear	Engaged gear
Mode	Mode
FlagError	Flag Error
	3= MIL malfunctioning indicator lamp
Error	Error

Technical note: not all data channels outlined in the ECU template are validated for each manufacturer model or variant; some of the outlined channels are model and year specific, and therefore may not be applicable.