

AiM user guide

EVO4 and SoloDL kit
for Yamaha YZF-R1/R1M
from 2015 and YZF-R6
from 2017

Release 1.05



KIT





1

Supported models and years

This user guide explains how to connect AiM EVO4 and SoloDL to the Yamaha YZF ECU. Supported models and years are:

- Yamaha YZF-R1 (YEC included) from 2015
- Yamaha YZF-R1M (YEC included) from 2015
- Yamaha YZF-R6 (YEC included) from 2017

Warning: for this models/years AiM recommends not to remove the stock dash. Doing so will disable some of the bike functions or safety controls. AiM Tech srl will not be held responsible for any consequence that may result from the replacement of the original instrumentation cluster.

2

Kit content and part number

An installation kit with bracket and ECU interface cable is available for Solo/SoloDL while a connection cable is available for EVO4.

2.1

Kit for SoloDL and bracket for Solo

SoloDL installation kit is shown here below; part number is: **V0256934CS**.



The kit includes:

- 1 bracket (1)
- 1 rubber rawl nut (2)
- 1 M6 screw (3)
- 1 rubber washer (4)
- 2 M4x10 screws (5)
- 1 AiM interface cable for Yamaha YZF-R1 and YZF-R1M (6)

AiM interface cable (6) and bracket kit (1-5) can be also bought separately as spare parts:

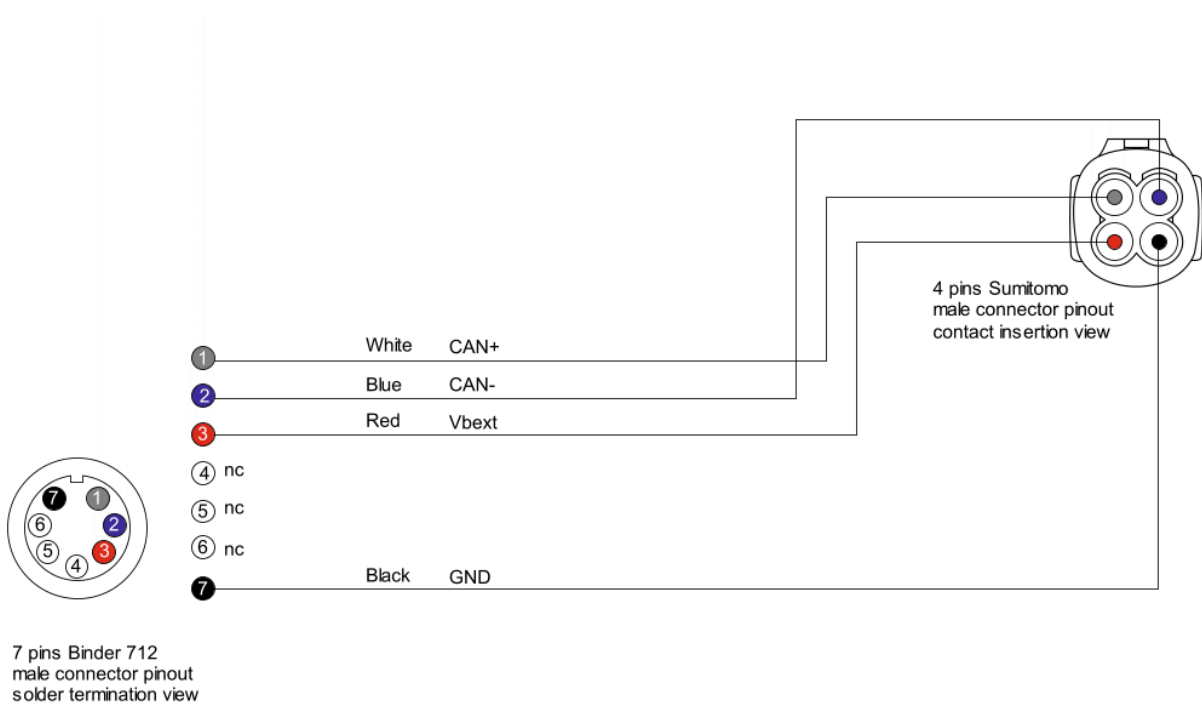
- SoloDL cable for Yamaha YZF-R1/R1M from 2015 and YZF-R6 from 2017: **V02569340**
- Solo/SoloDL bracket for Yamaha YZF-R1/R1M from 2015 and YZF-R6 from 2017: **X46KSYR115**.

2.2 AiM cable for SoloDL

SoloDL cable for Yamaha YZF-R1/R1M from 2015 and YZF-R6 from 2017–below – is: **V02569340**



The image below shows the cable construction scheme.

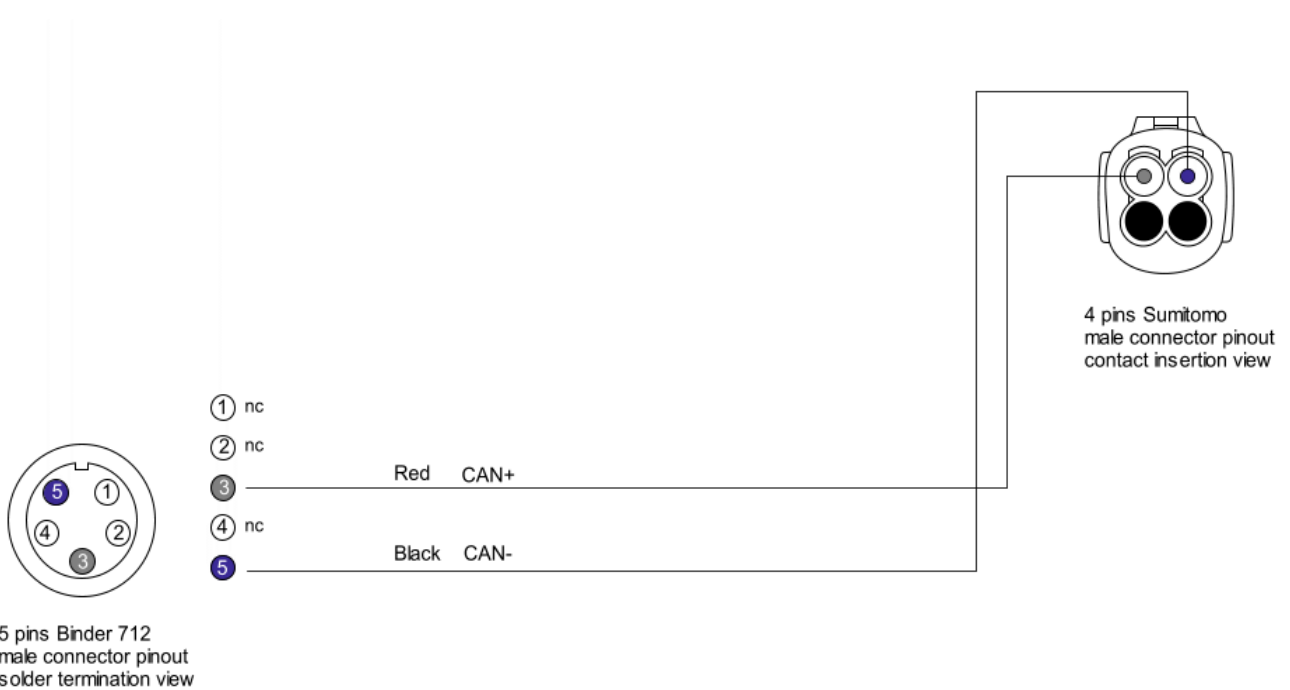


2.3 AiM cable for EVO4

EVO4 cable for Yamaha YZF-R1/R1M from 2015 and YZF-R6 from 2017 – shown below – is: **V02563310**



The image below shows the cable construction scheme.



3

Installation and connection

Here you find the instructions to install Solo and SoloDL and to connect EVO4 and SoloDL to your Yamaha bike ECU. EVO4 cable is long enough to allow installation of the logger under the bike seat.

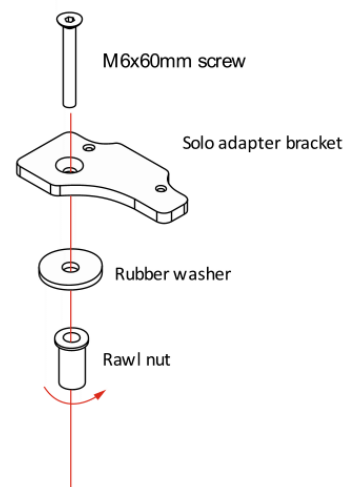
3.1

Installing Solo and SoloDL

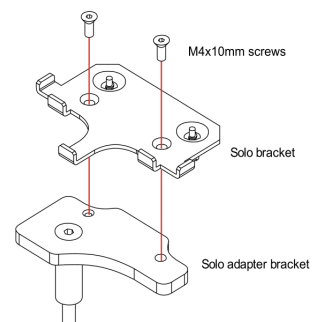
To install Solo/SoloDL on your Yamaha bike:

Insert the screw in the bracket and in the rubber washer.

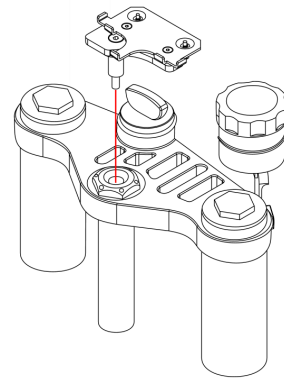
Screw the rawl nut on the screw.



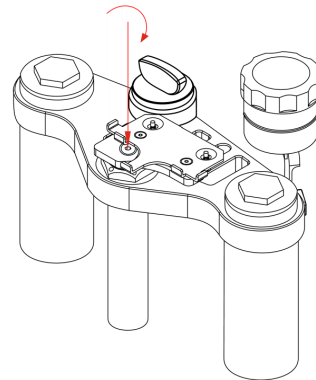
Fix Solo and Solo bracket on the kit bracket using M4x10 screws.



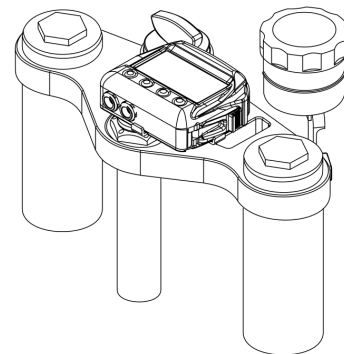
Insert the rawl nut in the handle bar hinge.



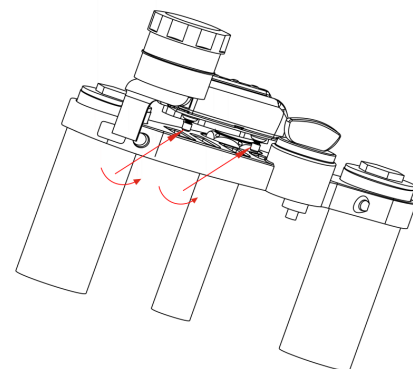
Screw the central screw on the hinge so that this last grips.



Hook Solo/SoloDL to its bracket.

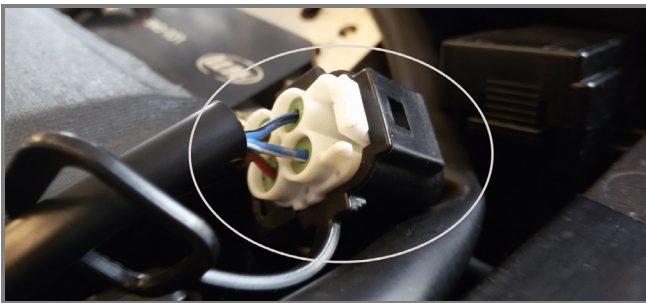


Fix Solo screwing the kit bracket screws.



3.2 Connecting SoloDL and EVO4 to the bike ECU

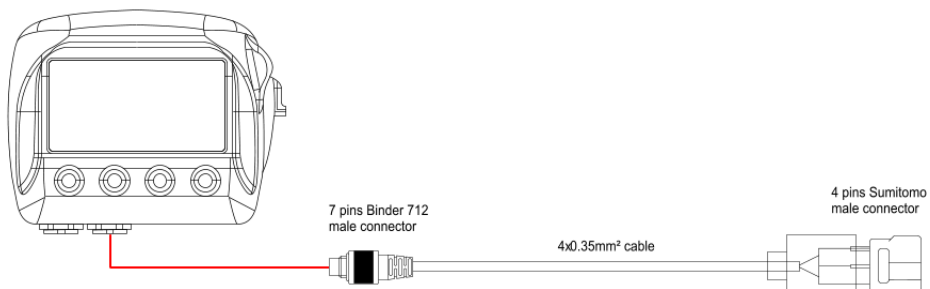
Yamaha bikes are equipped with a bus communication protocol based on CAN on the Sumitomo connector placed under the bike seat and shown here below.



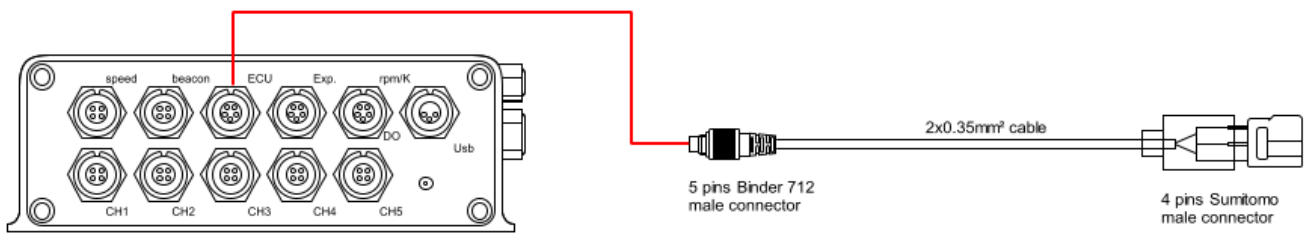
The table below shows colours of the cables of Sumitomo connector and their function.

Cable colour	Cable function
Blue/White	CAN High
Blue/Black	CAN Low
Red	+Vb (unswitched)
Black	GND

For SoloDL Connect the 7 pins Binder 712 female connector placed under the logger to 7 pins Binder 712 male connector of **V02569340** connection kit as shown here below.



For EVO4 connect 5 pins Binder 712 female connector of EVO4, labelled "ECU" – the third from the left of the top row – to 5 pins Binder 712 male connector of **V02563310** connection kit as shown here below.



4 Race Studio 2 configuration

Before connecting EVO4/SoloDL to the bike ECU set it up using AiM Race Studio 2 software. The parameters to select in the device configuration are:

- ECU Manufacturer: "Yamaha"
- ECU Model: "CAN_2015"

5

Available channels

Channels received by SoloDL and EVO4 connected to "Yamaha" "CAN_2015" protocol are:

ID	CHANNEL NAME	FUNCTION
ECU_1	ECU_RPM	RPM
ECU_2	ECU_GEAR	Gear
ECU_3	ECU_W_SPD_F	Wheel Speed Front
ECU_4	ECU_W_SPD_R	Wheel Speed Rear
ECU_5	ECU_THROTTLE	Throttle position sensor
ECU_6	ECU_TPS_HAND	Throttle Handgrip
ECU_7	ECU_ECT	Engine Coolant Temperature
ECU_8	ECU_AAT	Ambient Air Temperature
ECU_9	ECU_ACCX	Acceleration X
ECU_10	ECU_ACCY	Acceleration Y
ECU_11	ECU_GYRO	Gyroscope
ECU_12	ECU_TCS_MODE	Traction Control Mode
ECU_13	ECU_LIFT_SET	Lift Control Set
ECU_14	ECU_LAUNCH_SET	Launch Control Set
ECU_15	ECU_SCS_SET	Suspension Control Set
ECU_16	ECU_QSS_SET	Quick Shift Set
ECU_17	ECU_BRK_F_REQ	Brake Pressure Front Request
ECU_18	ECU_BRK_R_REQ	Brake Pressure Rear Request
ECU_19	ECU_BRKP_F	Brake Pressure Front Actuated
ECU_20	ECU_BRKP_R	Brake Pressure Rear Actuated
ECU_21	ECU_GEAR_RAW	Gear raw value
ECU_22	ECU_POW_MODE	Power mode
ECU_23	ECU_MAP_SEL	Map selection
ECU_24	ECU_FR_COMP	Front dumper compression



ECU_25	ECU_FR_REB	Front dumper rebound
ECU_26	ECU_RR_COMP	Rear dumper compression
ECU_27	ECU_RR_REB	Rear dumper rebound
ECU_28	ECU_R_ABS_IN	Rear ABS intervention
ECU_29	ECU_F_ABS_IN	Front ABS intervention
ECU_30	ECU_LAUNCH_IN	Launch control intervention
ECU_31	ECU_LIFT_IN	Lift control intervention
ECU_32	ECU_SCS_IN	Slide control system intervention
ECU_33	ECU_TCS_IN	Traction control system intervention

Technical note: not all data channels outlined in the ECU template are validated for each manufacturer model or variant; some of the outlined channels are model and year specific, and therefore may not be applicable.