

Rif. / Ref.	Q.tà / Q.ty	Materiale / Material		N. articolo / Item N.	
Progettato da / Designed by D.B.		Contr. da/ Ckd. by	Approvato da/ Approved by	Nome file / File name	Data / Date 31/08/12
		Titolo/Title Cablaggio standard connettore Deutsch 22 pin + 2TC per MXL2/MXG/MXG 1.2/MXP/MXS/MXS1.2			
		N. disegno / Drawing N. 04.573.16		Rev. / Rev 2	Foglio / Sheet 1 di 2

Table of cables ending with 4 pins Binder 719 female connector

22 pins Deutsch connector pin	Cable colour	Destination connector pin	Cable type	Length	Channel	Label
6 7 8 9	White Black Red Blue	1 2 3 4	4x0.35mm ²	400 mm	Analog Channel 7 GND V Battery V Reference	Ch.7
10 7 8 9	White Black Red Blue	1 2 3 4	4x0.35mm ²	400mm	Analog Channel 8 GND V Battery V Reference	Ch.8
11 12 13	White Black Blue n.c.	1 2 3 4	3x0.35mm ²	320mm	Speed 2 GND V Battery n.c.	Speed 2

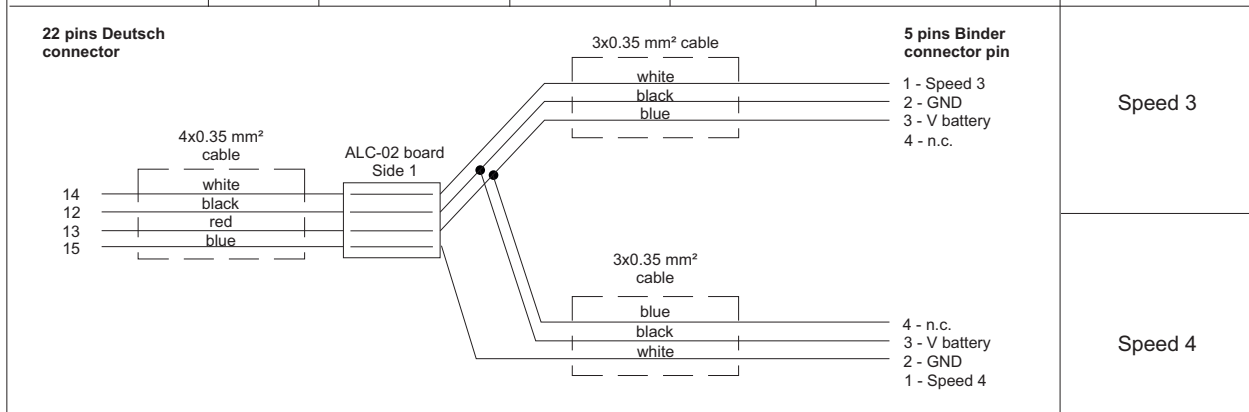


Table of cables ending with female Mignon connector

22 pins Deutsch connector pin	Cable colour	Destination connector pin	Cable type	Length	Channel	Label
1 2	Yellow Red	+ -	Compensated	380mm	Analog channel 5 GND	Ch.5
5 2	Yellow Red	+ -	Compensated	380mm	Analog channel 6 GND	Ch.6

Table of not ended cables

22 pins Deutsch connector pin	Cable colour	Cable type	Length	Label
19 20	bianco blu	1x0.5mm ² 1x0.5mm ²	550mm	Digital output 1 Digital output 2
17 18 16 21 22	bianco blu nero bianco blu	1x0.5mm ² 1x0.5mm ² 1x0.5mm ² 1x0.5mm ² 1x0.5mm ²	550mm	CAN2+ CAN2- GND ECU RS232RX ECU RS232TX