

AiM Infotech

Clip RPM for kart

Release 1.02

---



# 1

## Introduction

---

AiM RPM clip has been developed to be connected directly on the spark plug wire and is used to sample RPM from monocylinder, 2-4 stroke engines.

RPM clip **part number** is: **X05SNRPMY0**

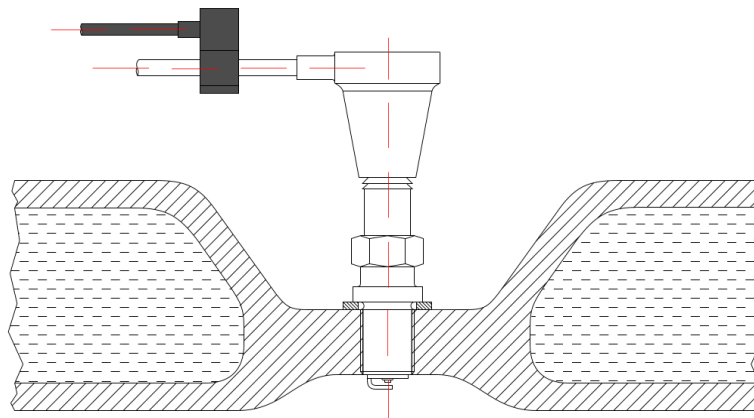
# 2

## Installation notes

---

To install the clip (grey in the image below):

- connect RPM clip directly to the spark plug wire
- while running the cable along the kart chassis place RPM cable as far as possible from thermocouple cable
- use plastic wrappers to firmly fix RPM connections to the chassis so to avoid movements or damages
- **please note:** to diminish signal intensity and thereby the relative noises we suggest to connect the clip without winding the RPM cable up to the spark plug; if on the contrary the signal is not correctly read wind the cable more times up on the spark plug cable.

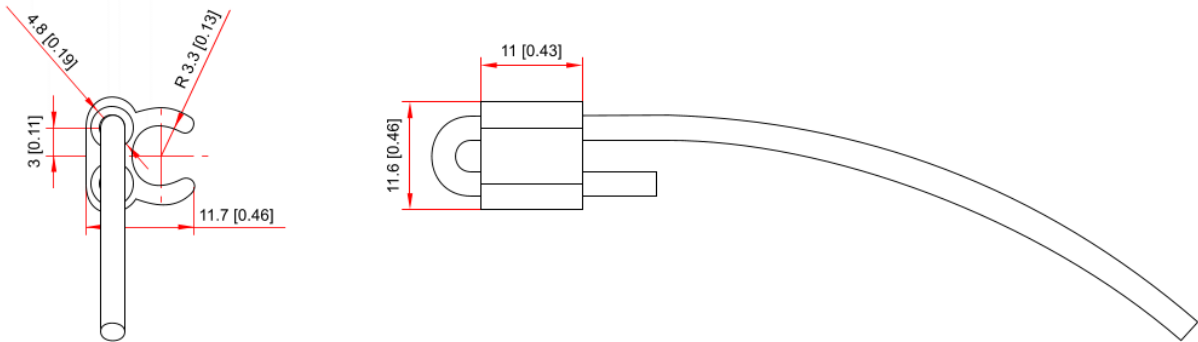


### 3

## Dimensions, pinout and technical characteristics

---

The drawing there below shows the RPM clip dimensions in mm [inches].



The RPM clip **technical characteristics** are:

- Sensor type: Inductive
- Max RPM cable diameter: 8mm
- Cable length: 1500mm