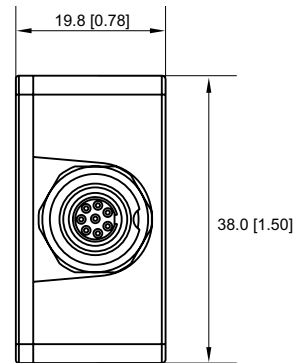
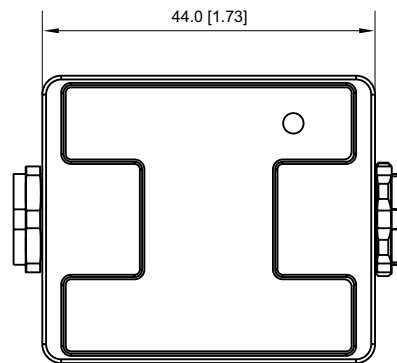
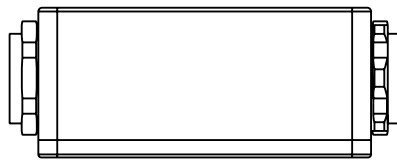
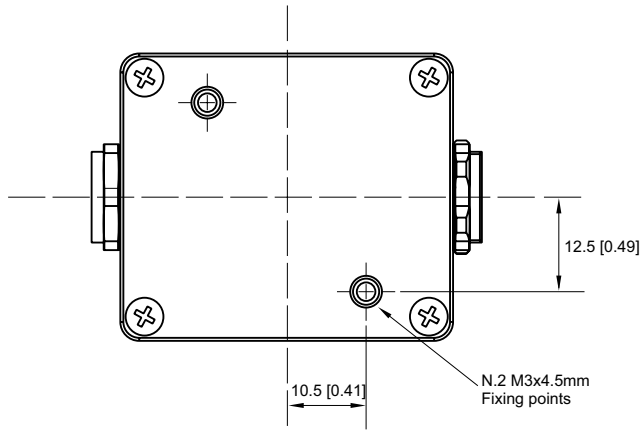




# AiM ACC2 Open

Analog CAN Converter Open version



Dimensions in mm [inches]



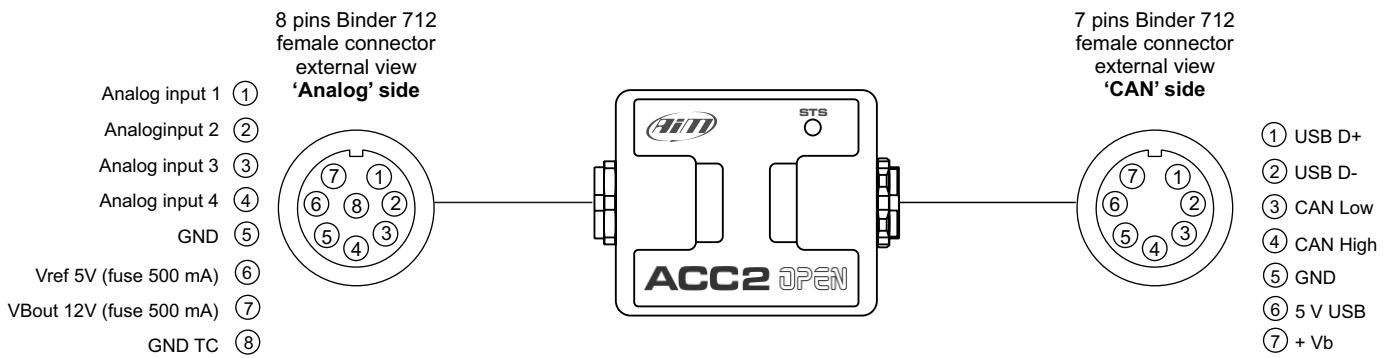
# AiM ACC2 Open

## Analog CAN Converter Open version

### Technical specifications

<b>Analog channels</b>	4 fully configurable channels, 200 Hz each: TC, TR, 0÷5 V, 0÷12 V
<b>External power</b>	9÷15 V
<b>Connections</b>	CAN, USB
<b>Connectors</b>	2 Binder 712 female connectors
<b>Material</b>	PA6 30% glass
<b>Dimensions</b>	44.0 x 38.0 x 19.8 mm
<b>Weight</b>	50 g
<b>Waterproof</b>	IP65

### Pinout

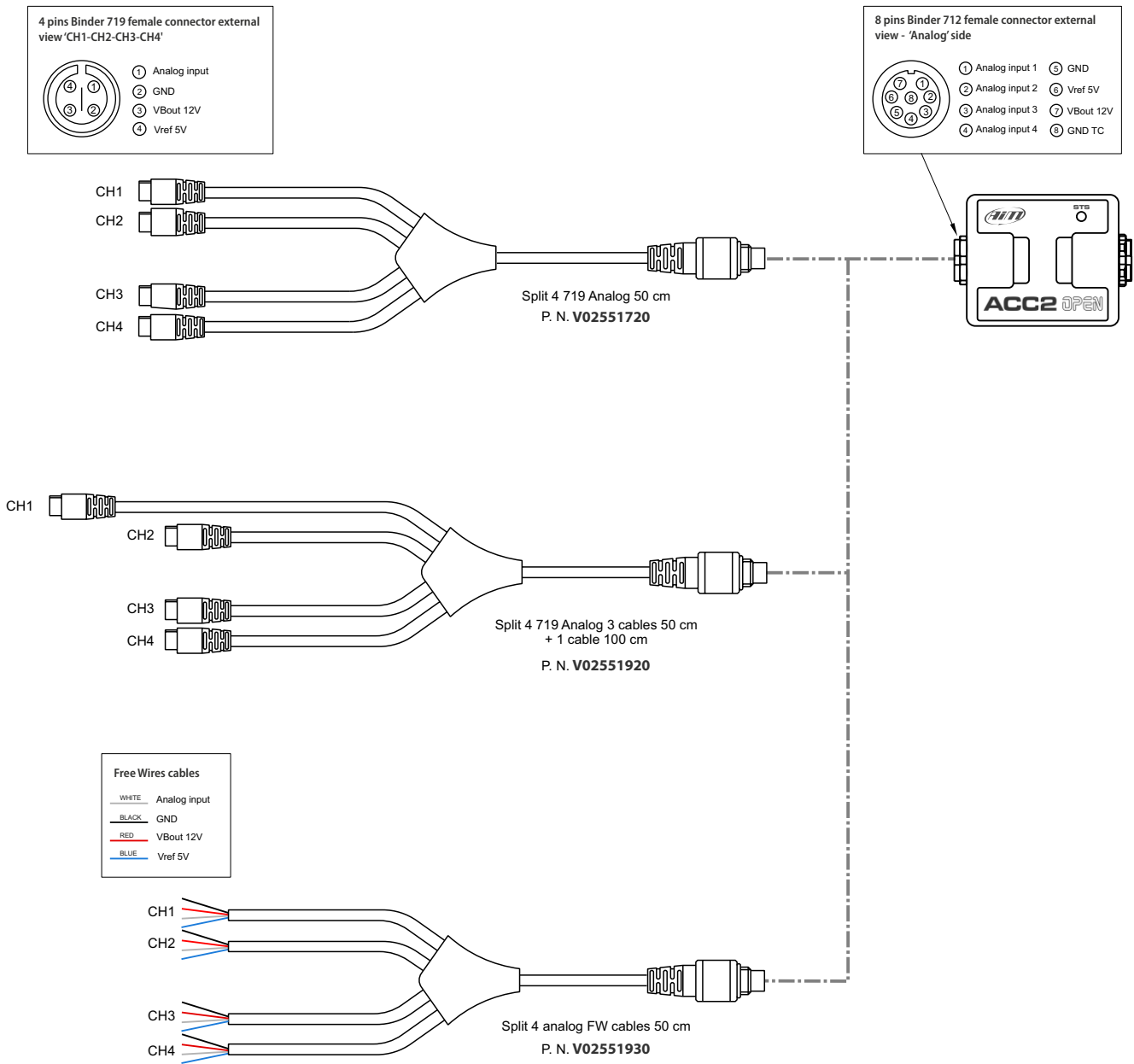




# AiM ACC2 Open

## Analog CAN Converter Open version

### Connections: analog side 1

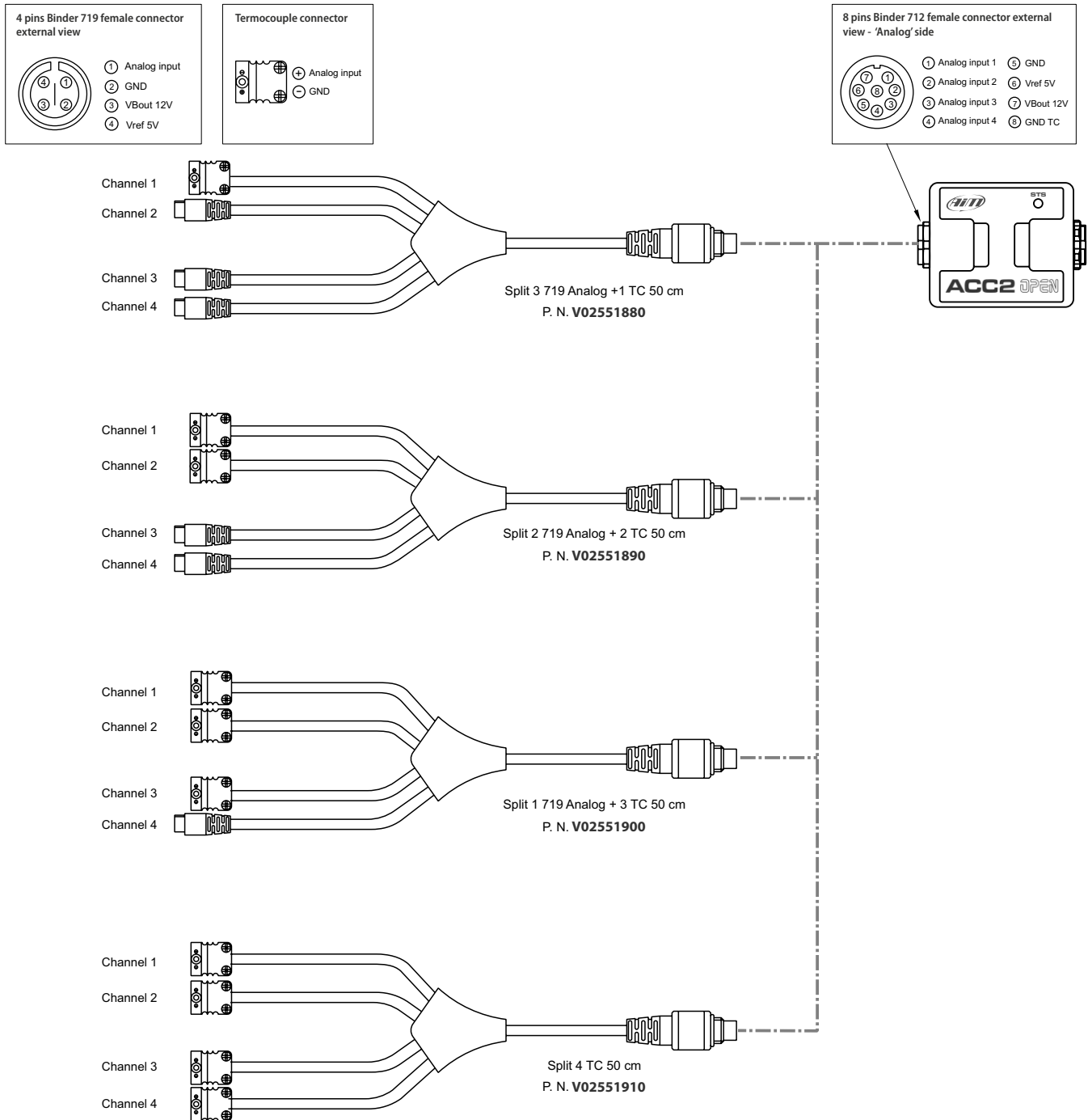




# AiM ACC2 Open

## Analog CAN Converter Open version

### Connections: analog side 2

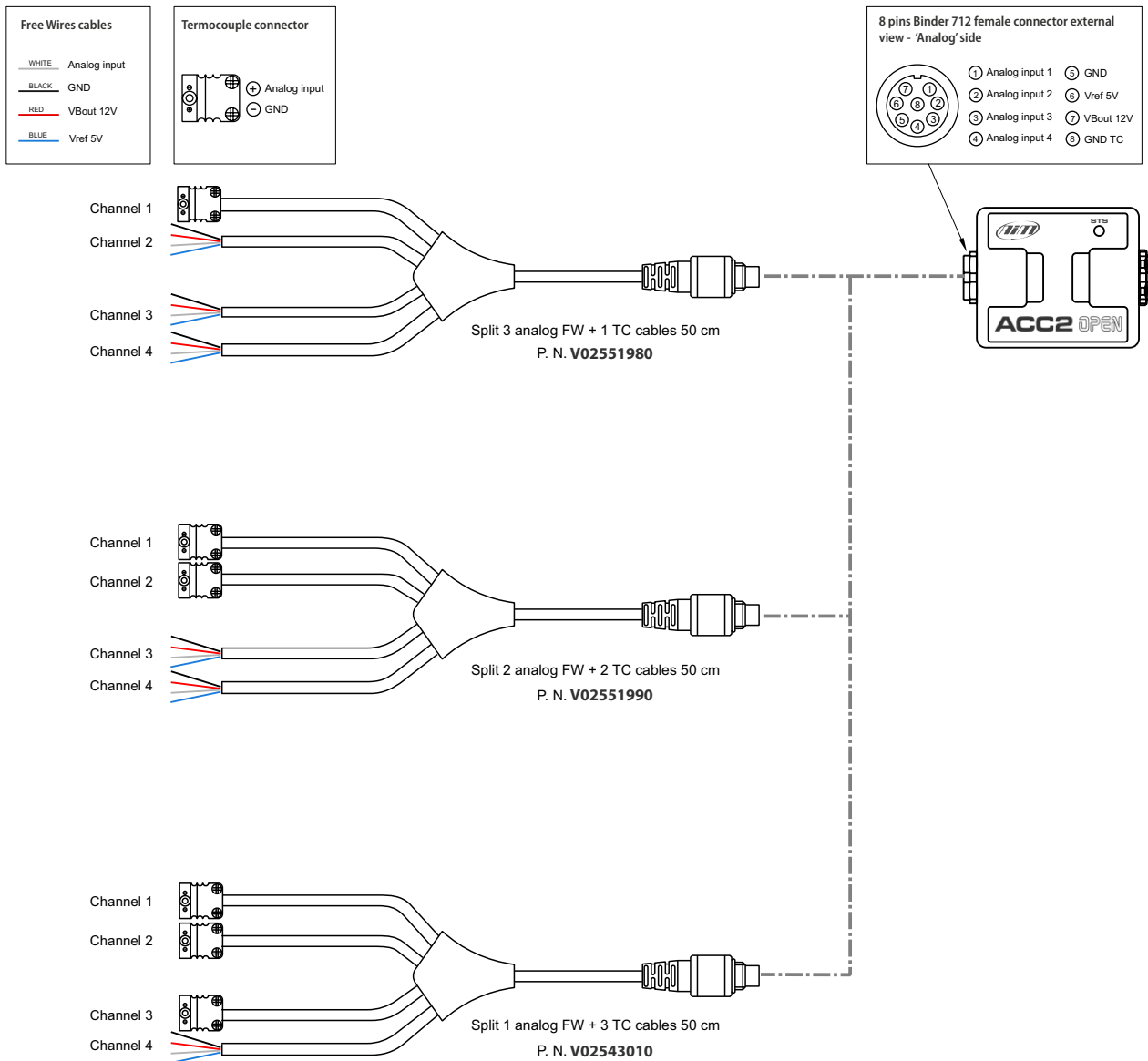




# AiM ACC2 Open

## Analog CAN Converter Open version

### Connections: analog side 3

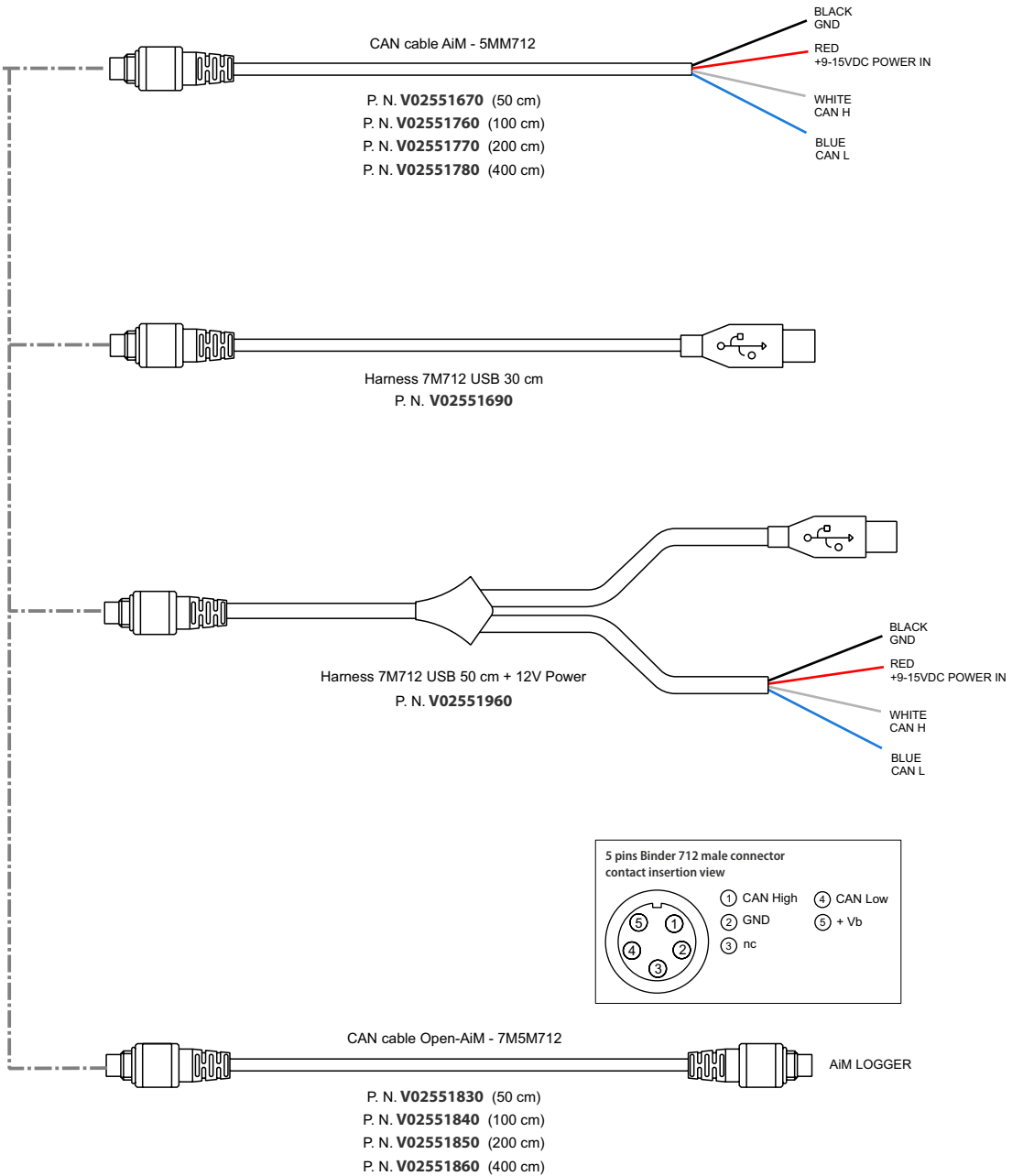
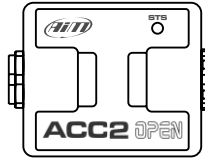
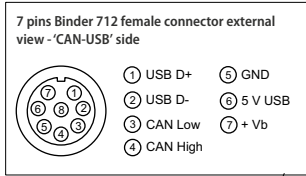




# AiM ACC2 Open

## Analog CAN Converter Open version

### Connections: CAN-USB side





# AiM ACC2 Open

## Analog CAN Converter Open version

### Available kits

<b>X08ACC2OAP4200</b>	ACC2 Open + Split 4 719 Analog 50 cm + CAN cable Open 7M712-FW 200 cm
<b>X08ACC2OAP3200</b>	ACC2 Open + Split 3 719 Analog 1 TC 50 cm + CAN cable Open 7M712-FW 200 cm
<b>X08ACC2OAP2200</b>	ACC2 Open + Split 2 719 Analog 2 TC 50 cm + CAN cable Open 7M712-FW 200 cm
<b>X08ACC2OAP1200</b>	ACC2 Open + Split 1 719 Analog 3 TC 50 cm + CAN cable Open 7M712-FW 200 cm
<b>X08ACC2OAP0200</b>	ACC2 Open + Split 4 TC 50 cm + CAN cable Open 7M712-FW 200 cm
<b>X08ACC2OAP4400</b>	ACC2 Open + Split 4 719 Analog 50 cm + CAN cable Open 7M712-FW 400 cm
<b>X08ACC2OAP3400</b>	ACC2 Open + Split 3 719 Analog 1 TC 50 cm + CAN cable Open 7M712-FW 400 cm
<b>X08ACC2OAP2400</b>	ACC2 Open + Split 2 719 Analog 2 TC 50 cm + CAN cable Open 7M712-FW 400 cm
<b>X08ACC2OAP1400</b>	ACC2 Open + Split 1 719 Analog 3 TC 50 cm + CAN cable Open 7M712-FW 400 cm
<b>X08ACC2OAP0400</b>	ACC2 Open + Split 4 TC 50 cm + CAN cable Open 7M712-FW 400 cm
<b>X08ACC2OAP4FW200</b>	ACC2 Open + Split 4 analog FW cables 50 cm + CAN cable Open 7M712-FW 200 cm
<b>X08ACC2OAP3FW200</b>	ACC2 Open + Split 3 analog FW 1 TC cables 50 cm + CAN cable Open 7M712-FW 200 cm
<b>X08ACC2OAP2FW200</b>	ACC2 Open + Split 2 analog FW 2 TC cables 50 cm + CAN cable Open 7M712-FW 200 cm
<b>X08ACC2OAP1FW200</b>	ACC2 Open + Split 1 analog FW 3 TC cables 50 cm + CAN cable Open 7M712-FW 200 cm
<b>X08ACC2OAP4FW400</b>	ACC2 Open + Split 4 analog FW cables 50 cm + CAN cable Open 7M712-FW 400 cm
<b>X08ACC2OAP3FW400</b>	ACC2 Open + Split 3 analog FW 1 TC cables 50 cm + CAN cable Open 7M712-FW 400 cm
<b>X08ACC2OAP2FW400</b>	ACC2 Open + Split 2 analog FW 2 TC cables 50 cm + CAN cable Open 7M712-FW 400 cm
<b>X08ACC2OAP1FW400</b>	ACC2 Open + Split 1 analog FW 3 TC cables 50 cm + CAN cable Open 7M712-FW 400 cm



# AiM ACC2 Open

## Analog CAN Converter Open version

### Accessories & optional parts

<b>V02551920</b>	Split 4 719 Analog 3 cables 50 cm + 1 cable 100 cm
<b>V02551720</b>	Split 4 719 Analog 50 cm
<b>V02551880</b>	Split 3 719 Analog + 1 TC 50 cm
<b>V02551890</b>	Split 2 719 Analog + 2 TC 50 cm
<b>V02551900</b>	Split 1 719 Analog + 3 TC 50 cm
<b>V02551910</b>	Split 4 TC 50 cm
<b>V02551930</b>	Split 4 Analog FW cables 50 cm
<b>V02551980</b>	Split 3 Analog FW + 1 TC cables 50 cm
<b>V02551990</b>	Split 2 Analog FW + 2 TC cables 50 cm
<b>V02543010</b>	Split 1 Analog FW + 3 TC cables 50 cm
<b>V02551670</b>	CAN cable Open - 7M712-FW 50 cm
<b>V02551760</b>	CAN cable Open - 7M712-FW 100 cm
<b>V02551770</b>	CAN cable Open - 7M712-FW 200 cm
<b>V02551780</b>	CAN cable Open - 7M712-FW 400 cm
<b>V02551830</b>	CAN cable Open-AiM - 7M5M712 50 cm
<b>V02551840</b>	CAN cable Open-AiM - 7M5M712 100 cm
<b>V02551850</b>	CAN cable Open-AiM - 7M5M712 200 cm
<b>V02551860</b>	CAN cable Open-AiM - 7M5M712 400 cm
<b>V02551690</b>	Harness 7M712 USB 30 cm
<b>V02551960</b>	Harness 7M712 USB 50 cm + 12V Power