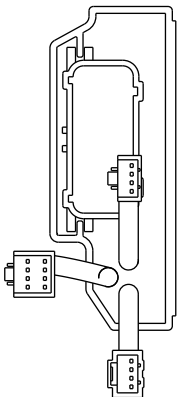
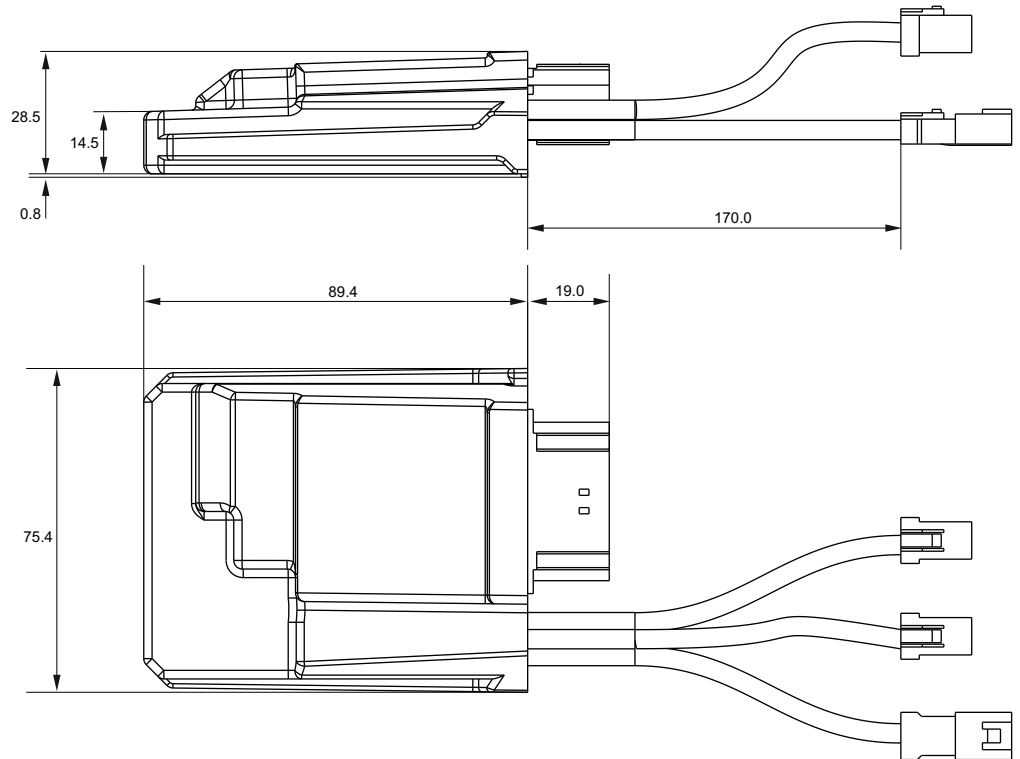




# AiM ECU Taipan & accessories

PLUG 'N PLAY ECU FOR MOTOCROSS





# AiM ECU Taipan & accessories

## PLUG 'N PLAY ECU FOR MOTOCROSS

### Technical specifications

Plug 'n play ECU for :

AiM ECU Taipan Compatible models	Bikes				Project status
	Brand	Type	Race	Year	
	GASGAS	MC 250F	Cross	2021	OK
				2022	OK
				2023	OK
		MC 450F	Cross	2021	OK
				2022	OK
				2023	OK
		EC 250F	Enduro	2021	OK
				2022	OK
				2023	OK
		EC 350F	Enduro	2021	OK
				2022	OK
				2023	OK
	HONDA	CRF 250R	Cross	2019	OK
				2020	OK
				2021	OK
				2022	OK
				2023	OK
		CRF 450R	Cross	2019	OK
				2020	OK
				2021	OK
				2022	OK
		CRF 450L	Enduro	2021	OK
				2022	OK
				2023	OK
		CRF 450X	Enduro	2021	OK
				2022	OK
				2023	OK

Continue on the next page



# AiM ECU Taipan & accessories

## PLUG 'N PLAY ECU FOR MOTOCROSS

### Technical specifications

#### Plug 'n play ECU for :

AiM ECU Taipan Compatible models	Bikes				Project status
	Brand	Type	Race	Year	
	HUSQVARNA	FC 250	Cross	2019	OK
				2020	OK
				2021	OK
				2022	OK
				2023	OK
		FC 350	Cross	2019	OK
				2020	OK
				2021	OK
				2022	OK
				2023	OK
		FC 450	Cross	2019	OK
				2020	OK
				2021	OK
				2022	OK
				2023	OK
		FE 250	Enduro	2020	OK
				2021	OK
				2022	OK
				2023	OK
		FE 350	Enduro	2020	OK
				2021	OK
				2022	OK
				2023	OK
		FE 450	Enduro	2020	OK
				2021	OK
				2022	OK
				2023	OK
		FE 501	Enduro	2020	OK
				2021	OK
				2022	OK
2023	OK				
FS 450	Supermoto	2019	OK		
		2020	OK		
		2021	OK		
		2022	OK		
		2023	OK		

Continue on the next page



# AiM ECU Taipan & accessories

## PLUG 'N PLAY ECU FOR MOTOCROSS

### Technical specifications

Plug 'n play ECU for :

AiM ECU Taipan Compatible models	Bikes				Project status
	Brand	Type	Race	Year	
	KAWASAKI	KX 250	Cross	2021	
				2022	OK
				2023	OK
		KX 450	Cross	2019	OK
				2020	OK
				2021	OK
				2022	OK
	KTM	SX-F 250	Cross	2019	OK
				2020	OK
				2021	OK
				2022	OK
				2023	OK
		SX-F 350	Cross	2019	OK
				2020	OK
				2021	OK
				2022	OK
		SX-F 450	Cross	2019	OK
				2020	OK
				2021	OK
				2022	OK
		EXC-F 250	Enduro	2020	OK
				2021	OK
				2022	OK
				2023	OK
				2023	OK
		EXC-F 350	Enduro	2020	OK
				2021	OK
				2022	OK
				2023	OK
		EXC-F 450	Enduro	2020	OK
				2021	OK
				2022	OK
				2023	OK
		EXC-F 500	Enduro	2020	OK
				2021	OK
2022	OK				
2023	OK				
SMR 450	Supermoto	2019	OK		
		2020	OK		
		2021	OK		
		2022	OK		
		2023	OK		



# AiM ECU Taipan & accessories

## PLUG 'N PLAY ECU FOR MOTOCROSS

### Technical specifications

#### Additional characteristics to the stock ECU:

- Two 0-5V analog inputs sampled @ 1,000 Hz each, could be alternatively used as switch to ground
- Second injector driver for high impedance saturated injectors (12Ω)
- One low side driver (1A)
- Two CAN bus, one for calibration purposes, one for expansions (AiM handlebar switch, dataloggers, dash ecc.)
- Three JST JWPF waterproof auxiliary connector
- Power consumption 150 mA
  
- Connectors: n.1 JST 04T-JWPF-VSLE-S Connector  
n.1 JST 08R-JWPF-VSLE-D Connector  
n.1 JST 04R-JWPF-VSLE-S Connector  
n.1 33 pin male Connector
  
- Body: PA6 + 30% glass fiber
- Dimensions: 89.4x75.4x29.3 mm
- Waterproof: IP67
- Weight: 260 g



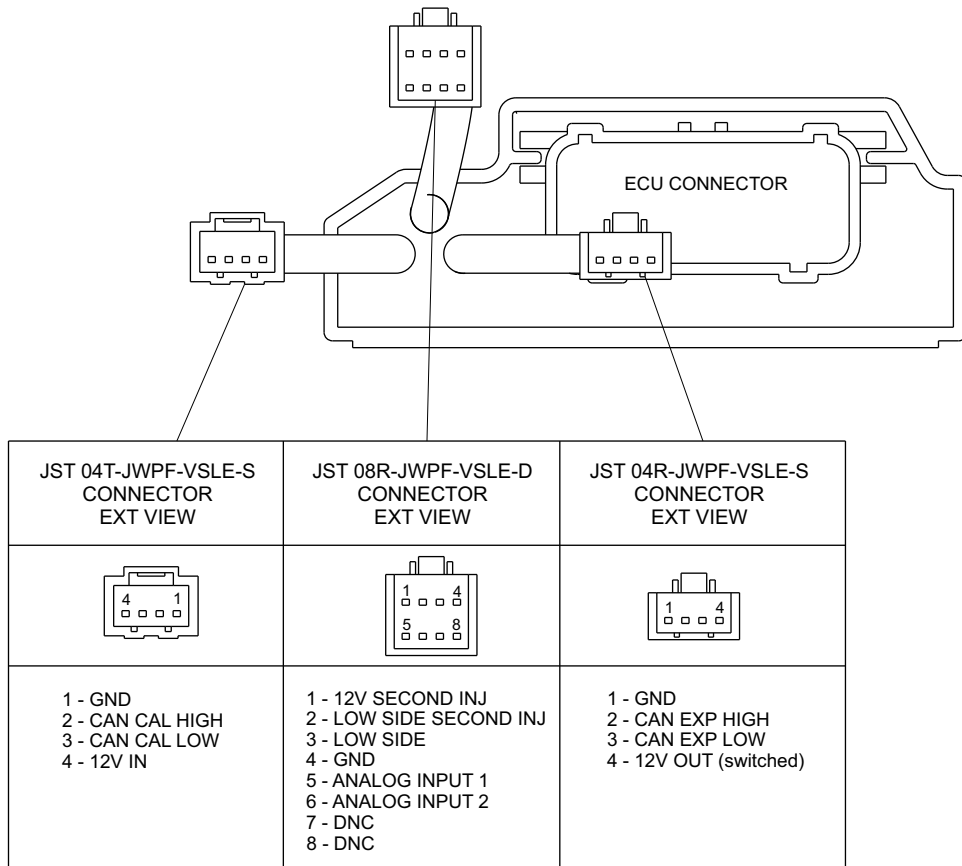
# AiM ECU Taipan & accessories

## PLUG 'N PLAY ECU FOR MOTOCROSS

### Part numbers (ECU Taipan & accessories)

<b>XE1ECUCB0</b>	ECU Taipan
<b>XE1HBS000</b>	Handle Bar Switch
<b>XE1UCB000</b>	UC Bridge
<b>XE1UCBT00</b>	UC Bridge Tuner
<b>XE1ECUHBS00</b>	Kit ECU Taipan + Handle Bar Switch
<b>XE1ECUHBSUCB0</b>	Kit ECU Taipan + Handle Bar Switch + UC Bridge

### Pinout

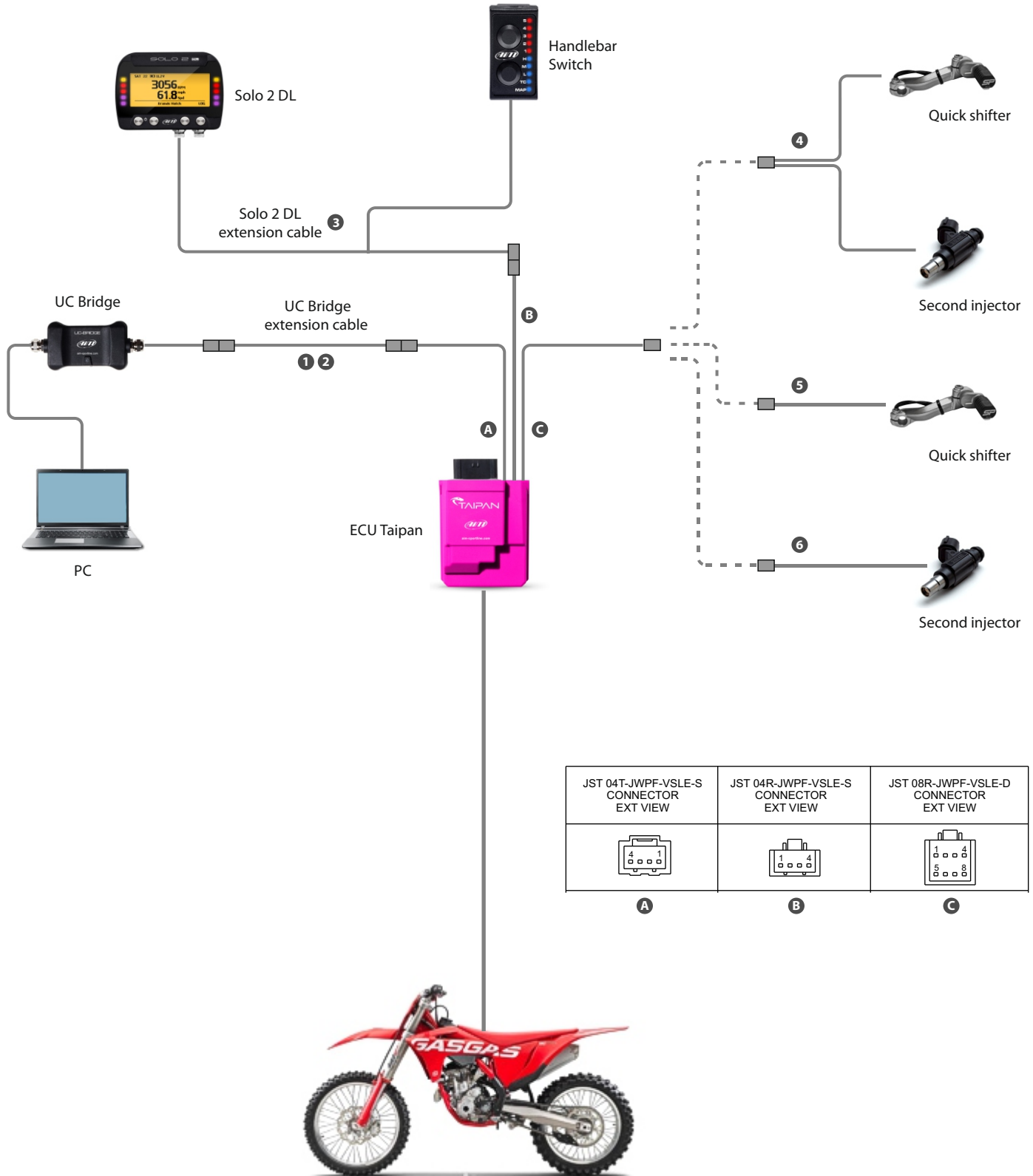




# AiM ECU Taipan & accessories

PLUG 'N PLAY ECU FOR MOTOCROSS

## Functional diagram





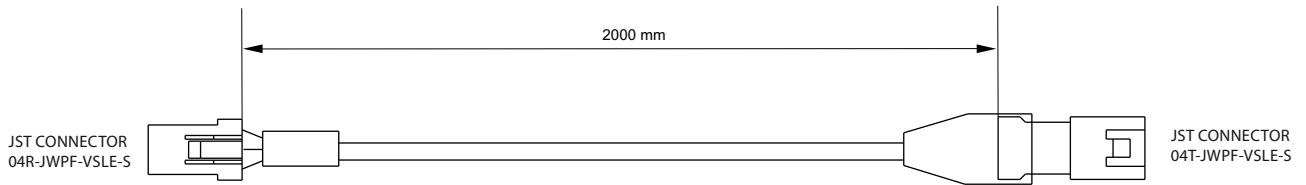
# AiM ECU Taipan & accessories

PLUG 'N PLAY ECU FOR MOTOCROSS

## Optional cables

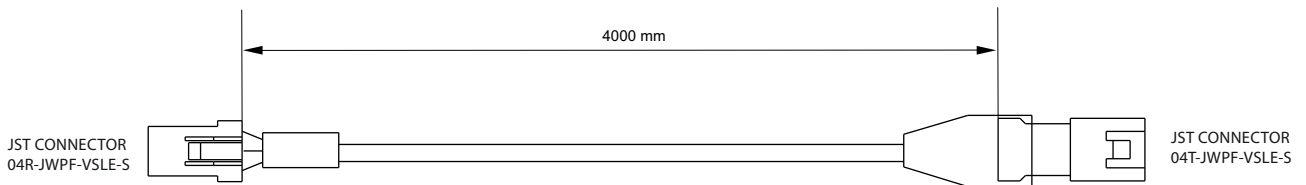
### 1 UC Bridge extension cable 2 m

Part number V02596020



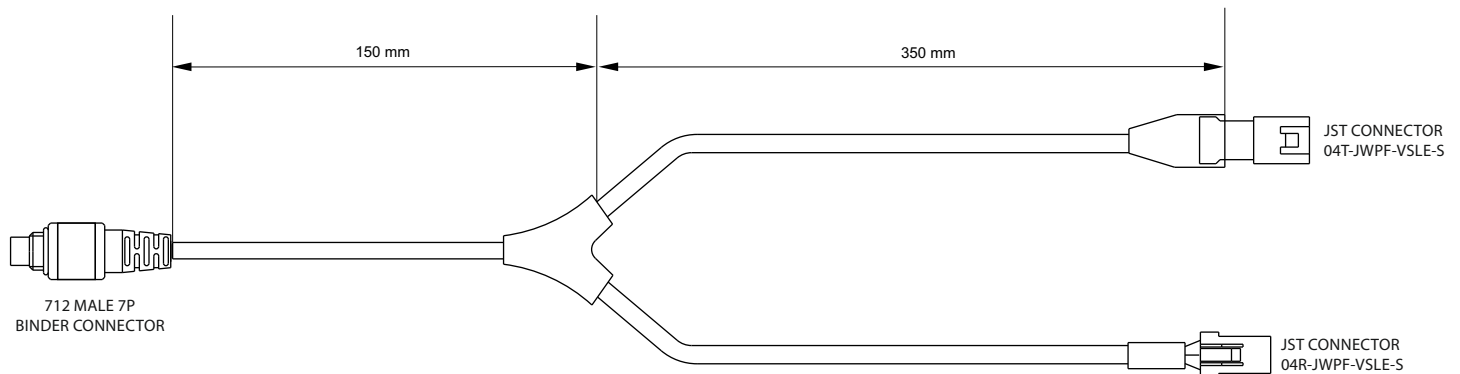
### 2 UC Bridge extension cable 4 m

Part number V02596030



### 3 Solo 2 DL extension cable 50 cm

Part number V02589120







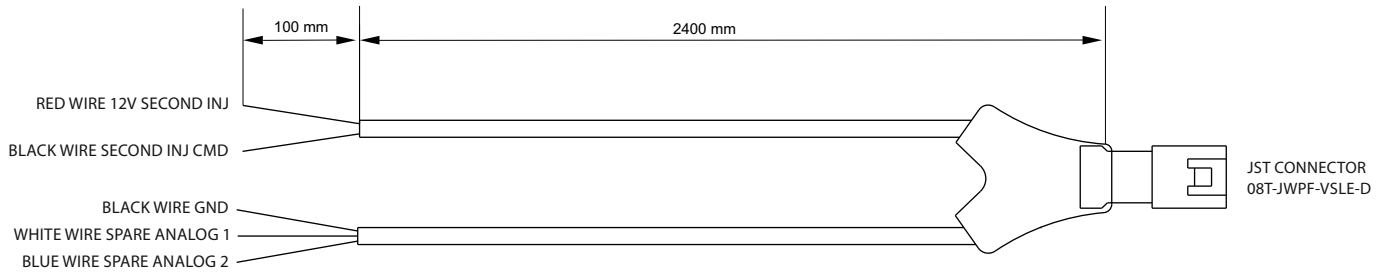
# AiM ECU Taipan & accessories

## PLUG 'N PLAY ECU FOR MOTOCROSS

### Optional cables

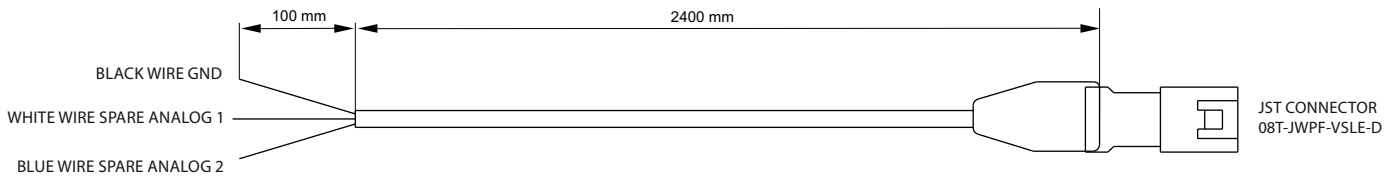
#### 4 Analog channels and second injection harness

Part number V02596060



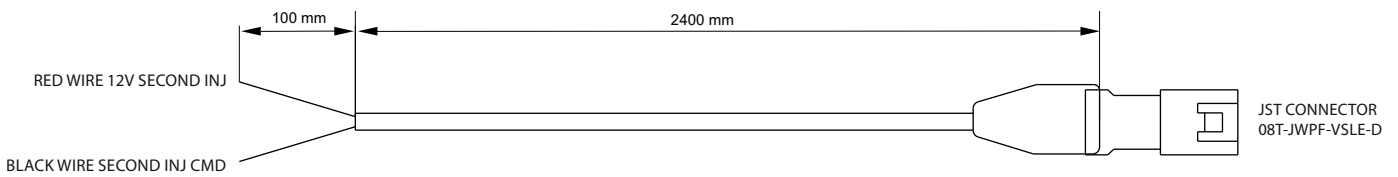
#### 5 Analog channels harness

Part number V02596070



#### 6 Second injection harness

Part number V02596080



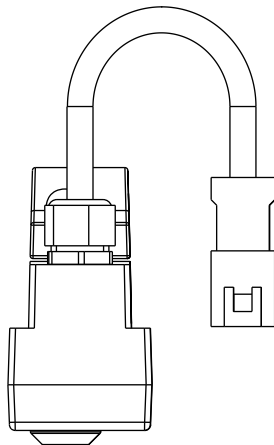
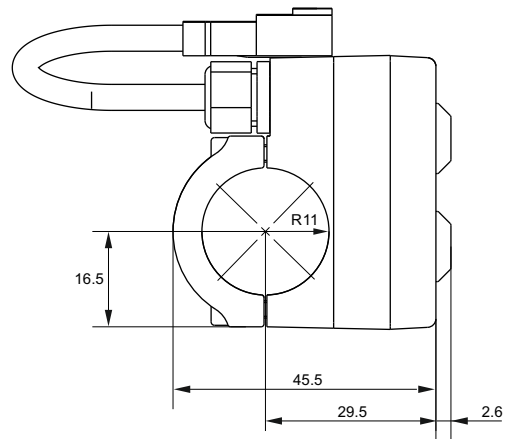
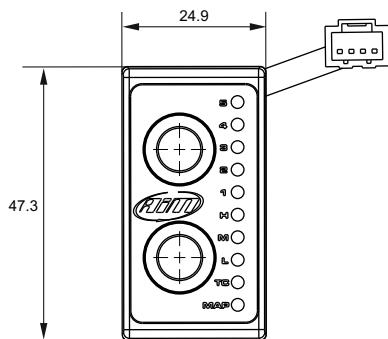


# AiM ECU Taipan & accessories

PLUG 'N PLAY ECU FOR MOTOCROSS

Accessories:

**Handlebar Switch**





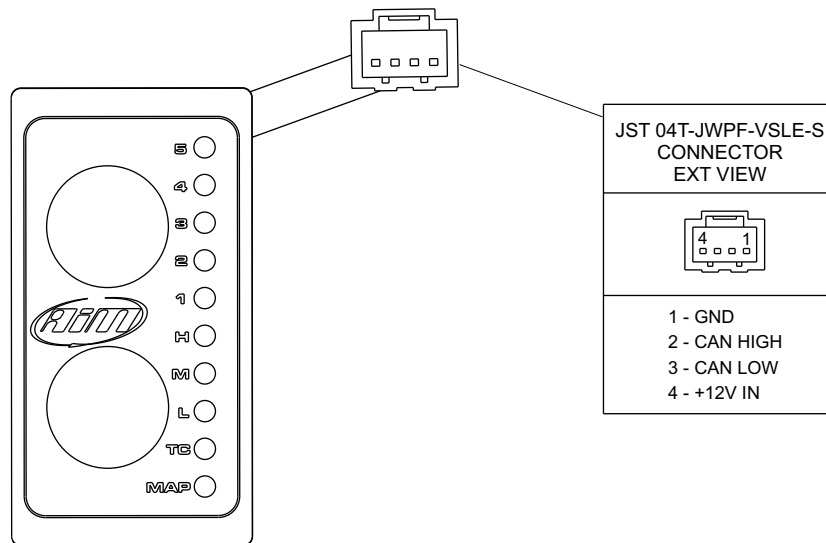
# AiM ECU Taipan & accessories

## PLUG 'N PLAY ECU FOR MOTOCROSS

### Accessories:

#### Handlebar Switch technical specifications and pinout

- JST waterproof connector for CAN Bus communication
- Connector: n.1 JST 04T-JWPF-VSLE-S Connector
- Body: PA6 + 30% glass fiber
- Dimensions: 47.3x24.9x48.1 mm
- Waterproof: IP67
- Weight: 70 g





# AiM ECU Taipan & accessories

PLUG 'N PLAY ECU FOR MOTOCROSS

Accessories:

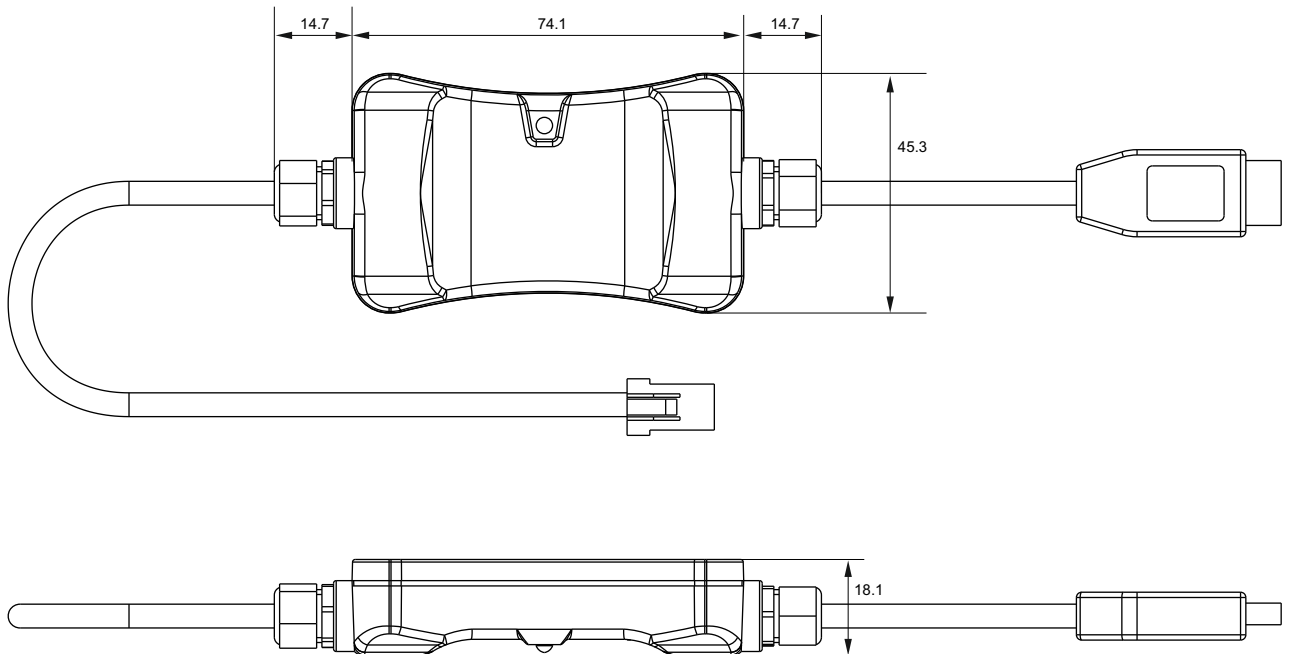
## UC Bridge



User license



Tuner license





# AiM ECU Taipan & accessories

## PLUG 'N PLAY ECU FOR MOTOCROSS

### Accessories:

#### UC Bridge technical specifications and pinout

- Connectors: n.1 USB connection for PC  
n.1 JST 04R-JWPF-VSLE-S waterproof Connector for CAN Bus communication
- Body: PA6 + 30% glass fiber
- Dimensions: 103.5x45.3x18.1 mm
- Waterproof: IP65
- Weight: 80 g

