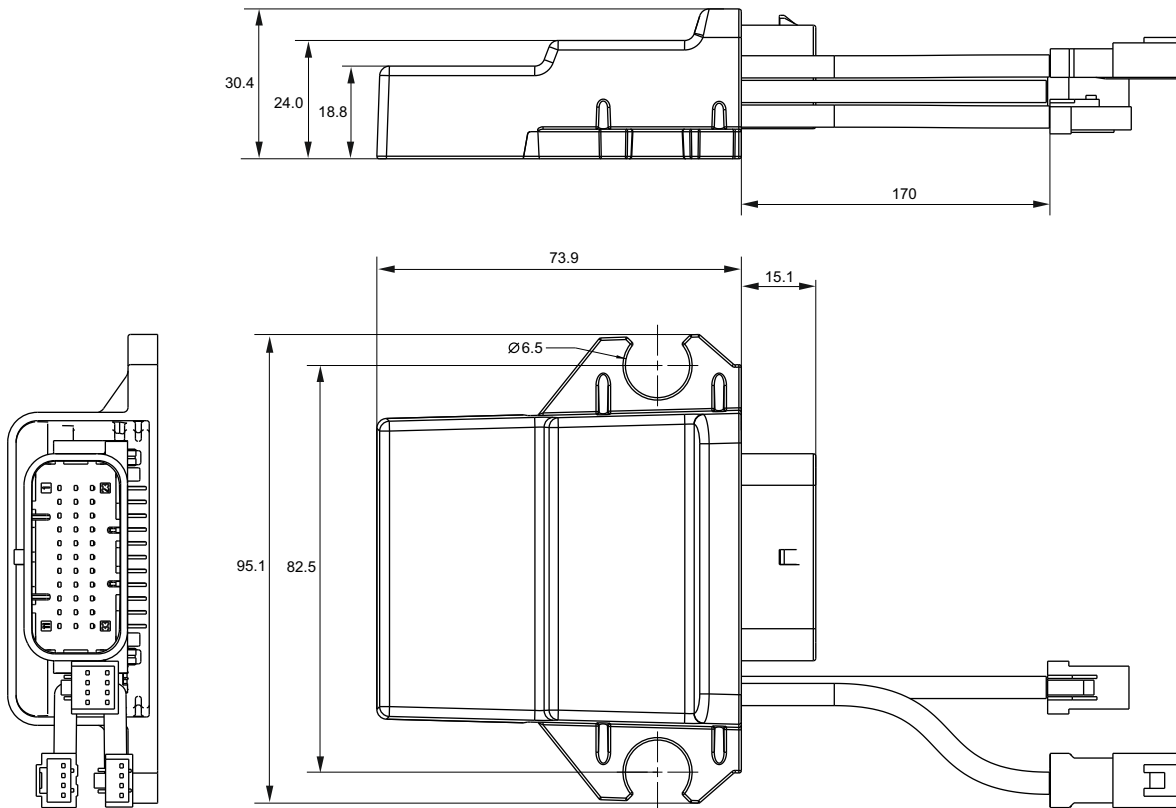




# AiM ECU Taipan Y & accessories

PLUG 'N PLAY ECU FOR MOTOCROSS






# AiM ECU Taipan Y & accessories

## PLUG 'N PLAY ECU FOR MOTOCROSS

### Technical specifications

#### Plug 'n play ECU for :

AiM ECU Taipan Y Compatible models	Bikes				
	Brand	Type	Race	Year	Project status
	YAMAHA	YZ 250 F	Cross	2019	OK
				2020	OK
				2021	OK
				2022	OK
	YAMAHA	YZ 450 F	Cross	2019	OK
				2020	OK
				2021	OK
				2022	OK

#### Additional characteristics to the stock ECU:

- Two 0-5V analog inputs sampled @ 1,000 Hz each, could be alternatively used as switch to ground
- Second injector driver for high impedance saturated injectors (12Ω)
- One low side driver (1A)
- Two CAN bus, one for calibration purposes, one for expansions (AiM handlebar switch, dataloggers, dash ecc.)
- Three JST JWPF waterproof auxiliary connector
- Power consumption 150 mA
  
- Connectors: n.1 JST 04T-JWPF-VSLE-S Connector  
n.1 JST 08R-JWPF-VSLE-D Connector  
n.1 JST 04R-JWPF-VSLE-S Connector  
n.1 33 pin male Connector
- Body: PA6 + 30% glass fiber
- Dimensions: 73.9x95.1x30.4 mm
- Waterproof: IP67
- Weight: 230 g



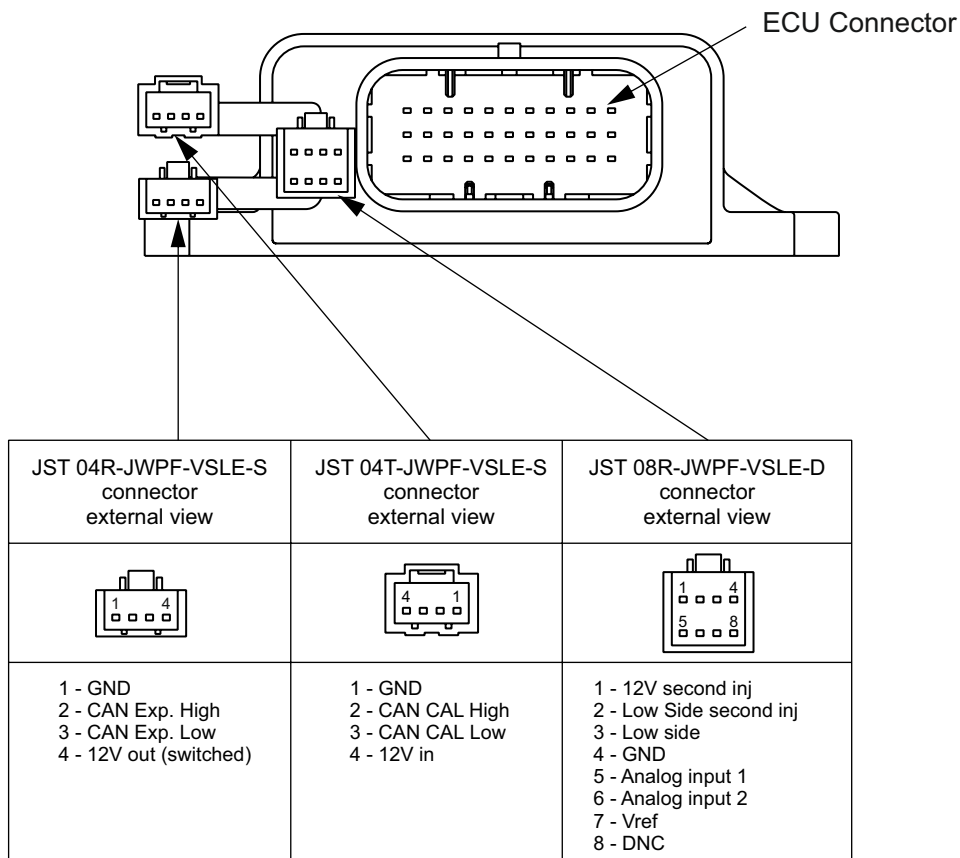
# AiM ECU Taipan Y & accessories

PLUG 'N PLAY ECU FOR MOTOCROSS

## Part numbers (ECU Taipan Y & accessories)

<b>XE1ECUCB1</b>	ECU Taipan Y
<b>XE1HBS000</b>	Handle Bar Switch
<b>XE1UCB000</b>	UC Bridge
<b>XE1UCBT00</b>	UC Bridge Tuner
<b>XE1ECUHBS01</b>	Kit ECU Taipan Y + Handle Bar Switch
<b>XE1ECUHBSUCB1</b>	Kit ECU Taipan Y + Handle Bar Switch + UC Bridge

## Pinout

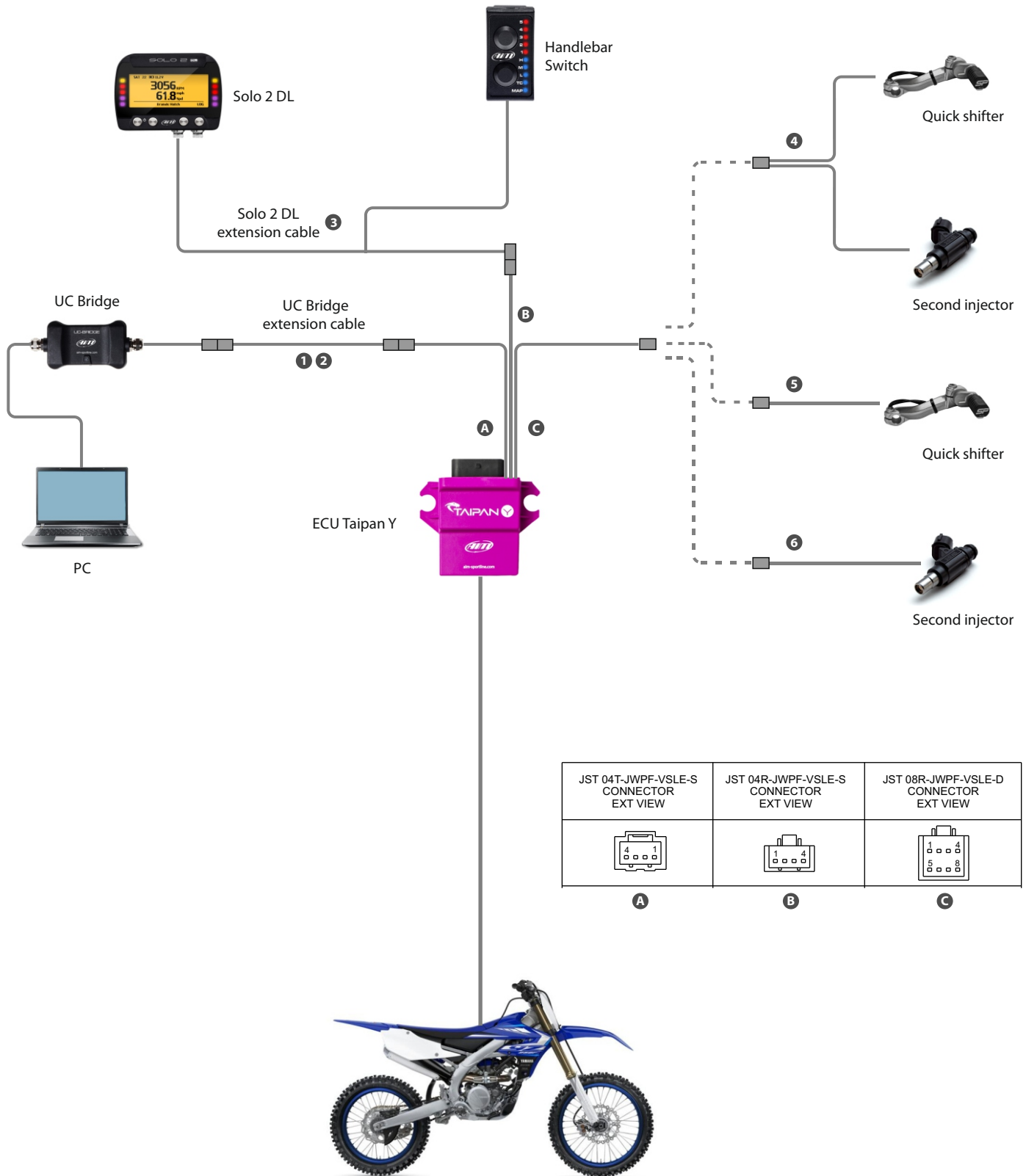




# AiM ECU Taipan Y & accessories

PLUG 'N PLAY ECU FOR MOTOCROSS

## Functional diagram





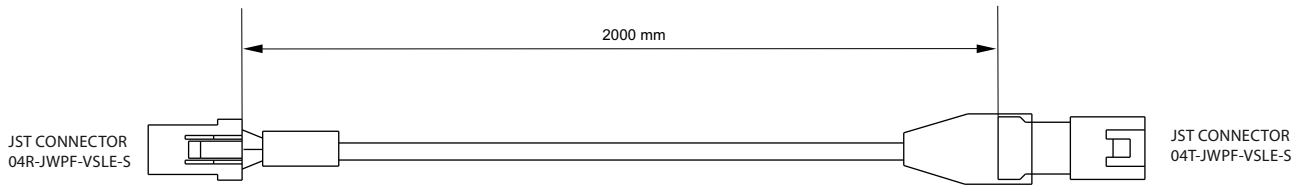
# AiM ECU Taipan Y & accessories

PLUG 'N PLAY ECU FOR MOTOCROSS

## Optional cables

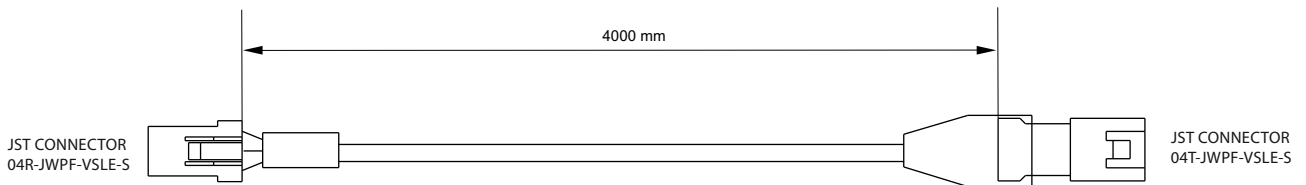
### 1 UC Bridge extension cable 2 m

Part number V02596020



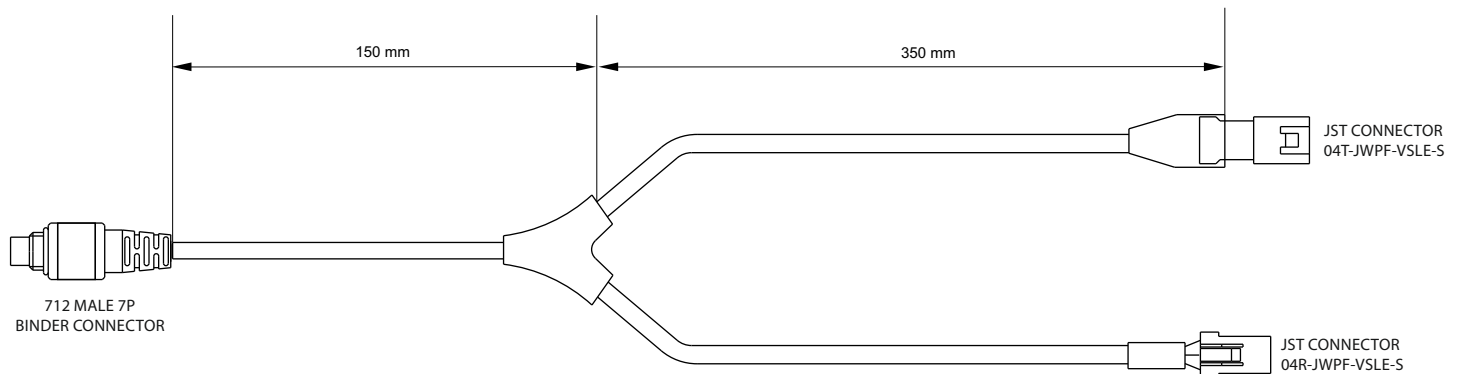
### 2 UC Bridge extension cable 4 m

Part number V02596030



### 3 Solo 2 DL extension cable 50 cm

Part number V02589120





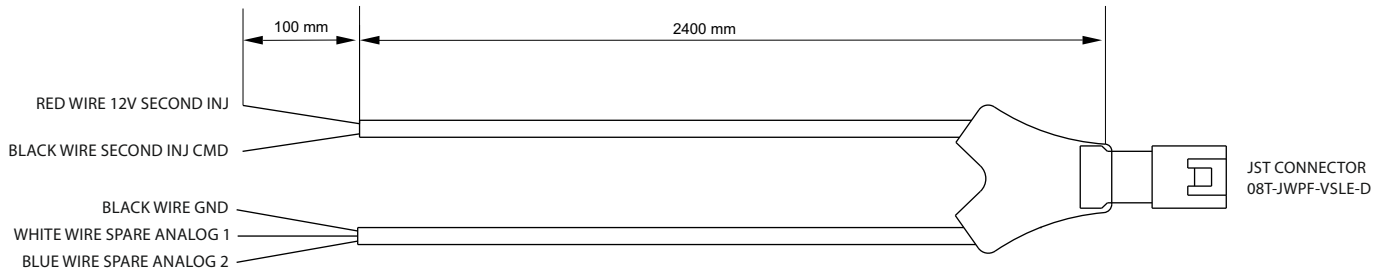
# AiM ECU Taipan Y & accessories

## PLUG 'N PLAY ECU FOR MOTOCROSS

### Optional cables

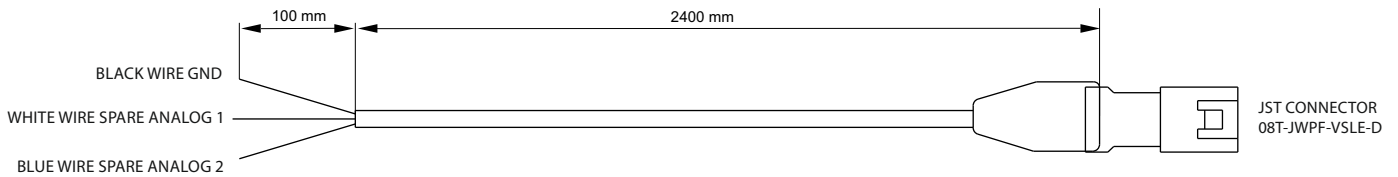
#### 4 Analog channels and second injection harness

Part number V02596060



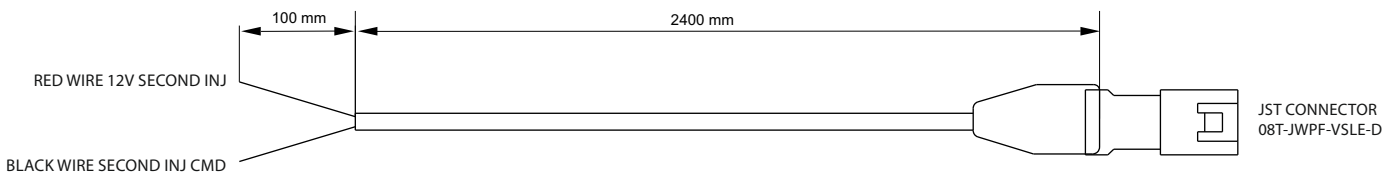
#### 5 Analog channels harness

Part number V02596070



#### 6 Second injection harness

Part number V02596080



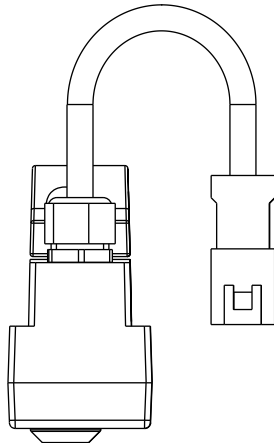
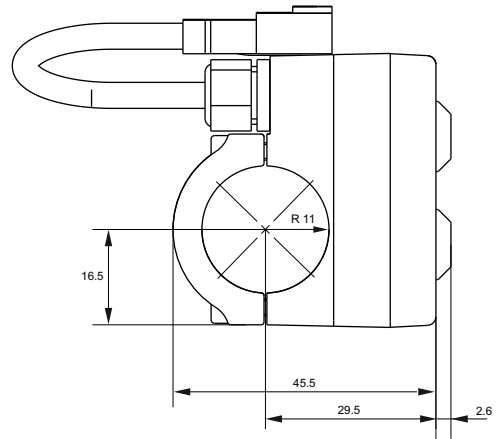
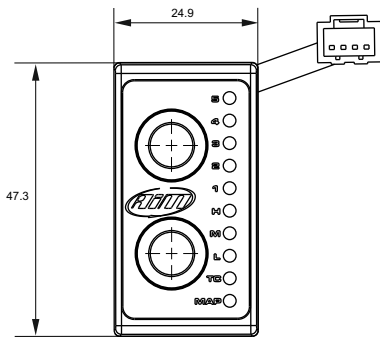


# AiM ECU Taipan Y & accessories

PLUG 'N PLAY ECU FOR MOTOCROSS

Accessories:

**Handlebar Switch**





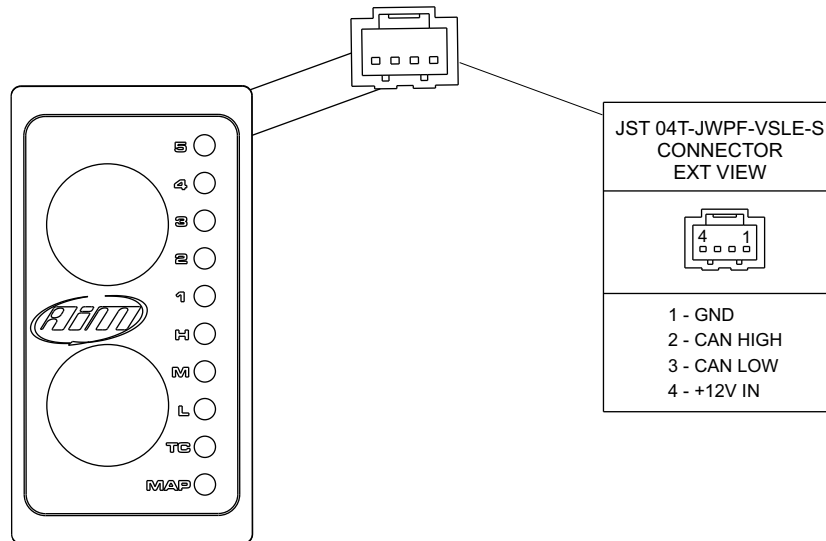
# AiM ECU Taipan Y & accessories

PLUG 'N PLAY ECU FOR MOTOCROSS

## Accessories:

### Handlebar Switch technical specifications and pinout

- JST waterproof connector for CAN Bus communication
- Connector: n.1 JST 04T-JWPF-VSLE-S Connector
- Body: PA6 + 30% glass fiber
- Dimensions: 47.3x24.9x48.1 mm
- Waterproof: IP67
- Weight: 70 g







# AiM ECU Taipan Y & accessories

PLUG 'N PLAY ECU FOR MOTOCROSS

## Accessories:

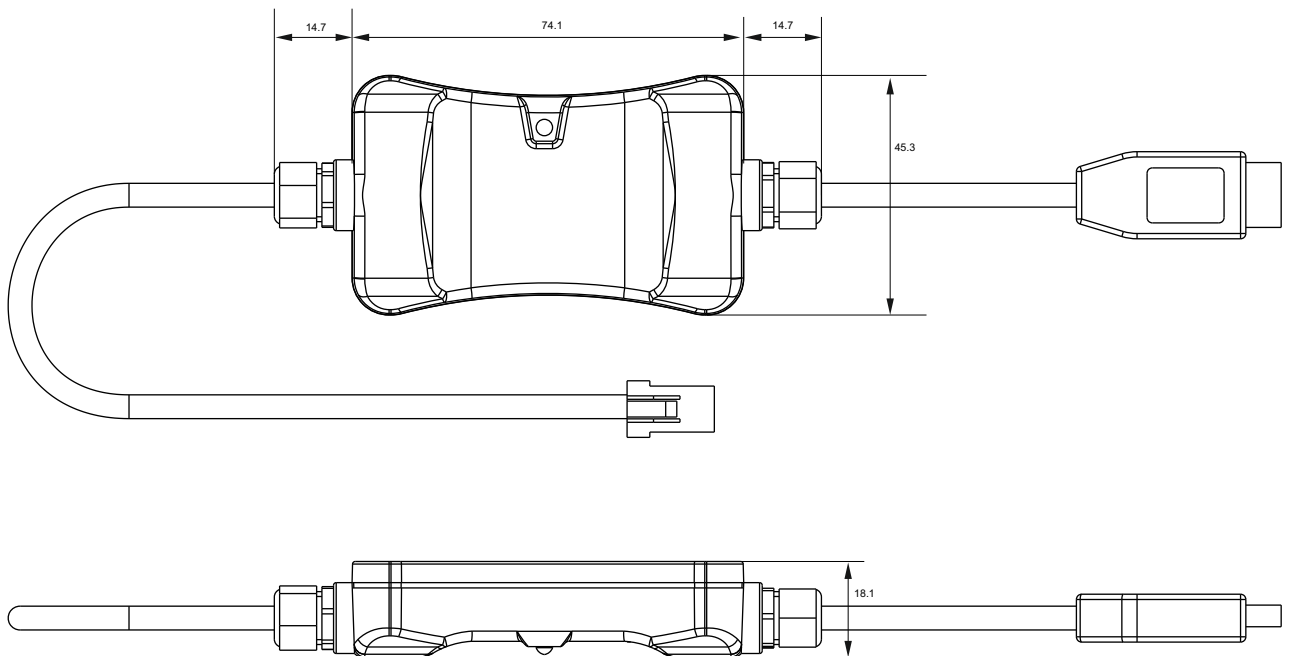
### UC Bridge



User license



Tuner license





# AiM ECU Taipan Y & accessories

PLUG 'N PLAY ECU FOR MOTOCROSS

## Accessories:

### UC Bridge technical specifications and pinout

- Connectors: n.1 USB connection for PC  
n.1 JST 04R-JWPF-VSLE-S waterproof Connector for CAN Bus communication
- Body: PA6 + 30% glass fiber
- Dimensions: 103.5x45.3x18.1 mm
- Waterproof: IP65
- Weight: 80 g

