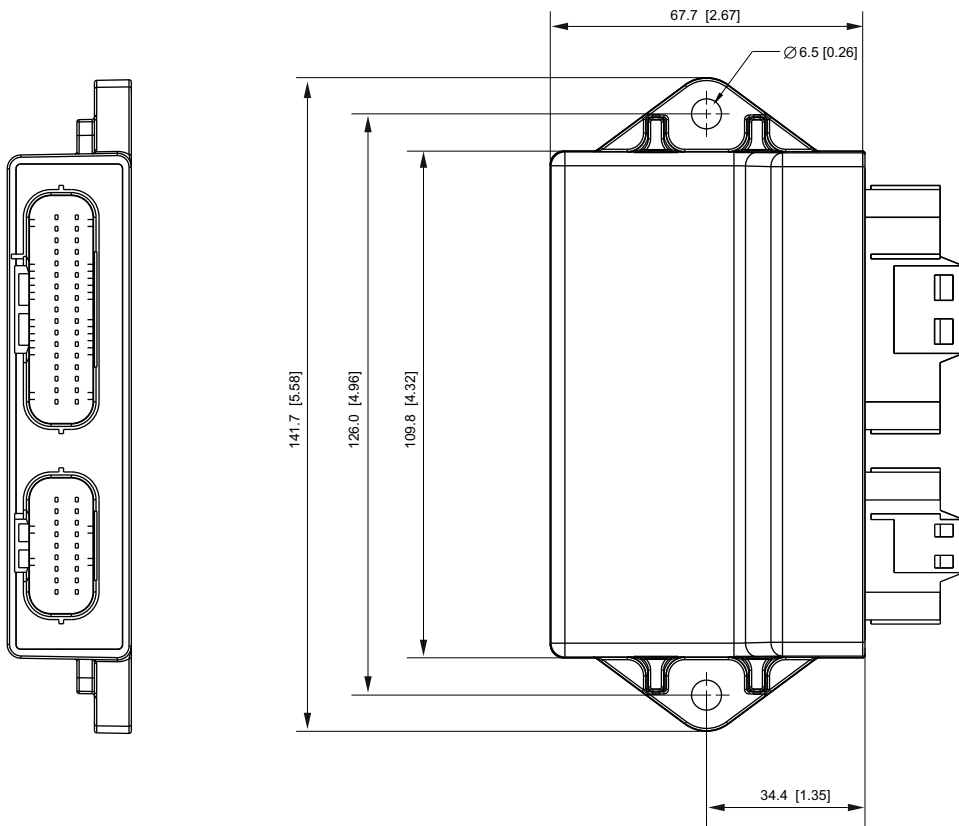
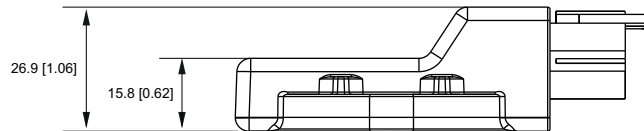




AiM ECU Yarara

PLUG 'N PLAY ECU FOR YAMAHA ATV





AiM ECU Yarara

PLUG 'N PLAY ECU FOR YAMAHA ATV

Technical specifications

Compatible ATV models	ATV Yamaha YFZ450R
Additional inputs	Two 0-5V analog inputs sampled @ 1,000 Hz each
Additional outputs	Second injector driver for high impedance saturated injectors (12Ω) One low side driver (1A)
CAN connectors	2 CAN bus, one for calibration purposes, one for expansions (AiM handlebar switch, dataloggers, dash ecc.)
Power consumption	150 mA
Connectors	n.1 JAE male 18 pin MX23A18NF1 Connector n.1 34 pin male Connector
Body	PA6 + 30% glass fiber
Dimensions	141.5x84.3x26.9 mm
Waterproof	IP67
Weight	370 g

Part numbers (ECU Yarara & accessories)

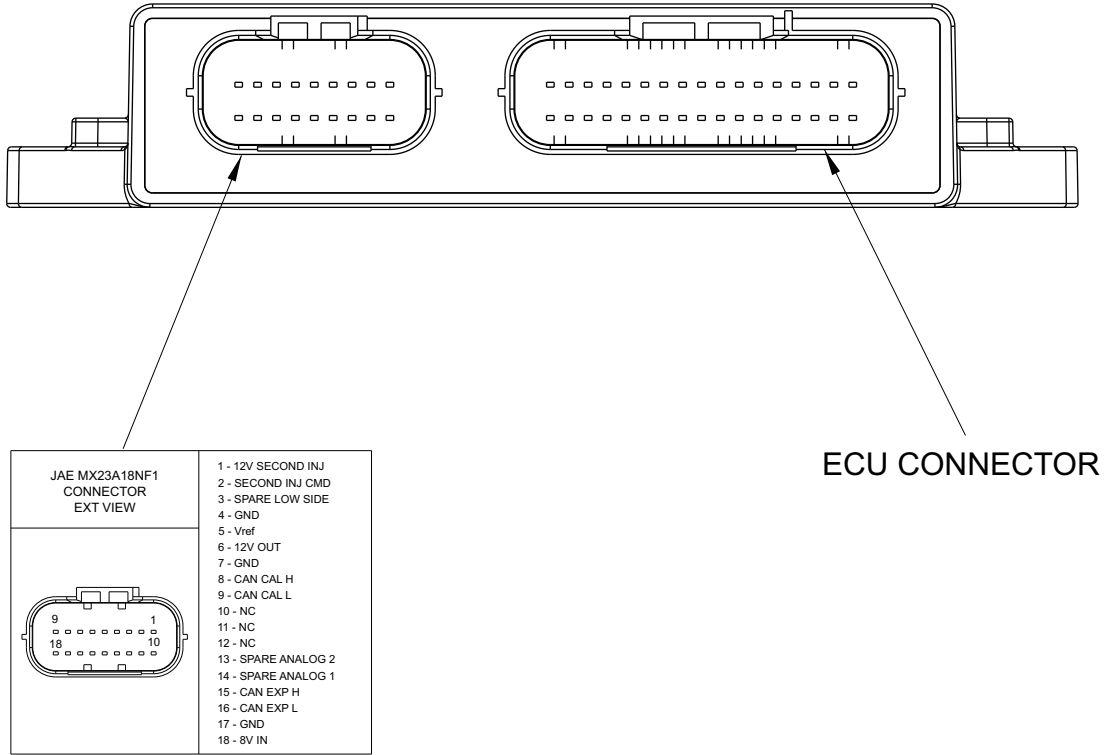
XE1ECUYA0	ECU Yarara
V02596090	Additional harness
XE1HBS000	Handle Bar Switch
XE1UCB000	UC Bridge
XE1UCBT00	UC Bridge Tuner
XE1ECUYHBS0	Kit ECU Yarara + Handle Bar Switch
XE1ECUYHBSUCB0	Kit ECU Yarara + Handle Bar Switch + UC Bridge



AiM ECU Yarara

PLUG 'N PLAY ECU FOR YAMAHA ATV

Pinout



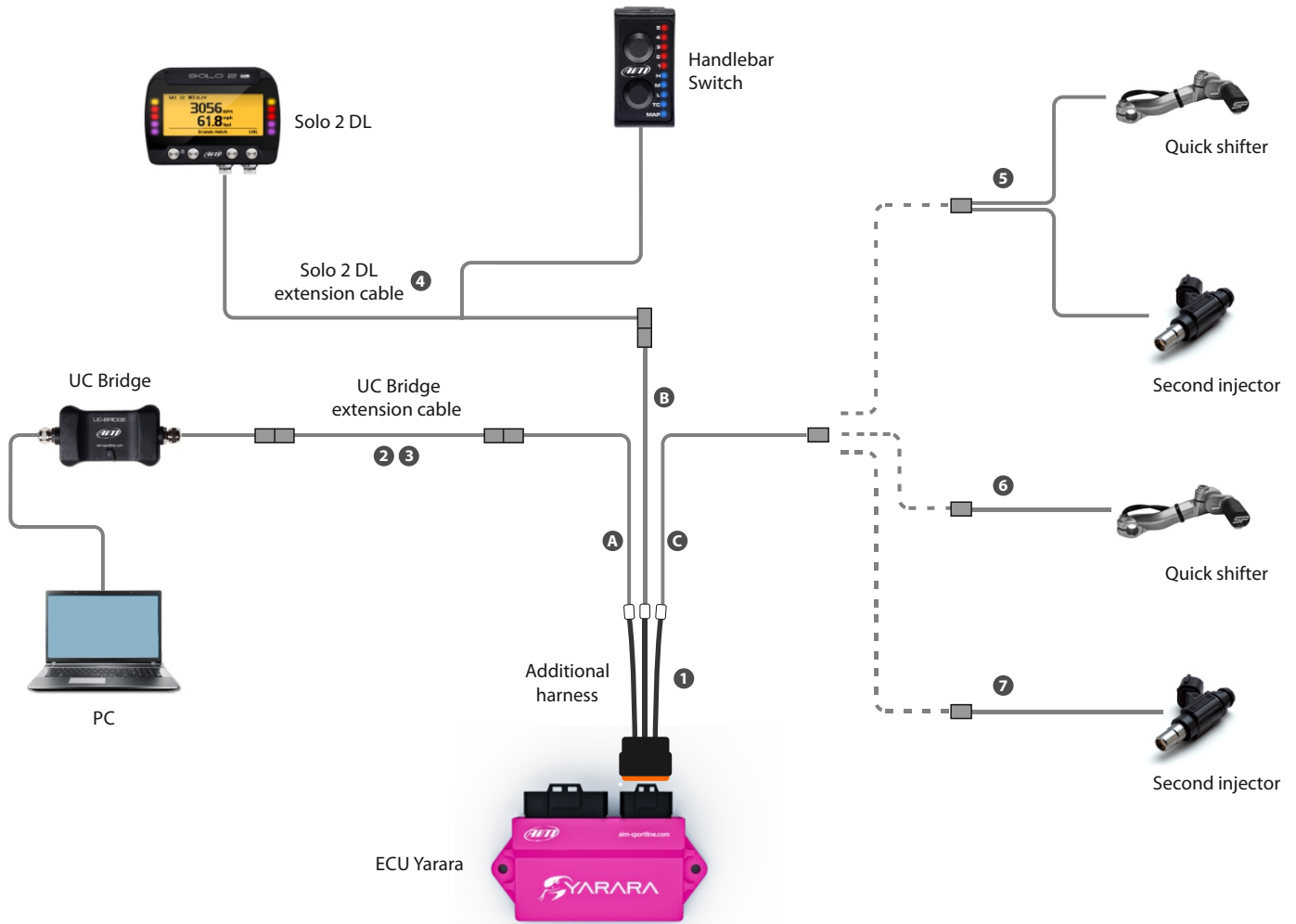
ECU CONNECTOR



AiM ECU Yarara

PLUG 'N PLAY ECU FOR YAMAHA ATV

Functional diagram



① Additional harness (part n. V02596090)

JST 04T-JWPF-VSLE-S CONNECTOR EXT VIEW	JST 04R-JWPF-VSLE-S CONNECTOR EXT VIEW	JST 08R-JWPF-VSLE-D CONNECTOR EXT VIEW
A	B	C



ATV Yamaha YFZ450R



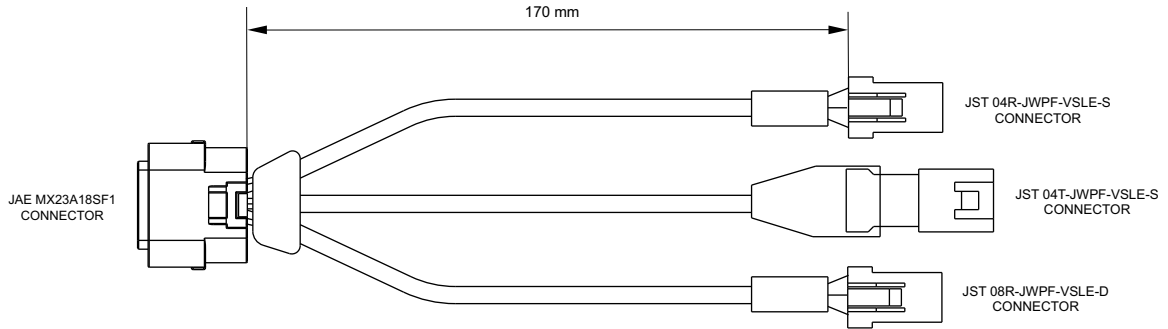
AiM ECU Yarara

PLUG 'N PLAY ECU FOR YAMAHA ATV

Optional cables

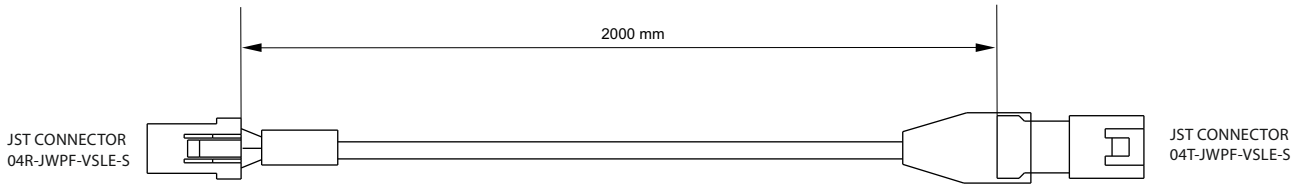
1 Additional harness 170 mm

Part number V02596090



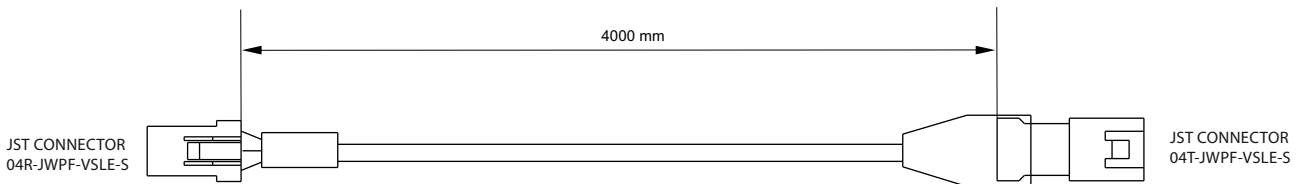
2 UC Bridge extension cable 2 m

Part number V02596020



3 UC Bridge extension cable 4 m

Part number V02596030





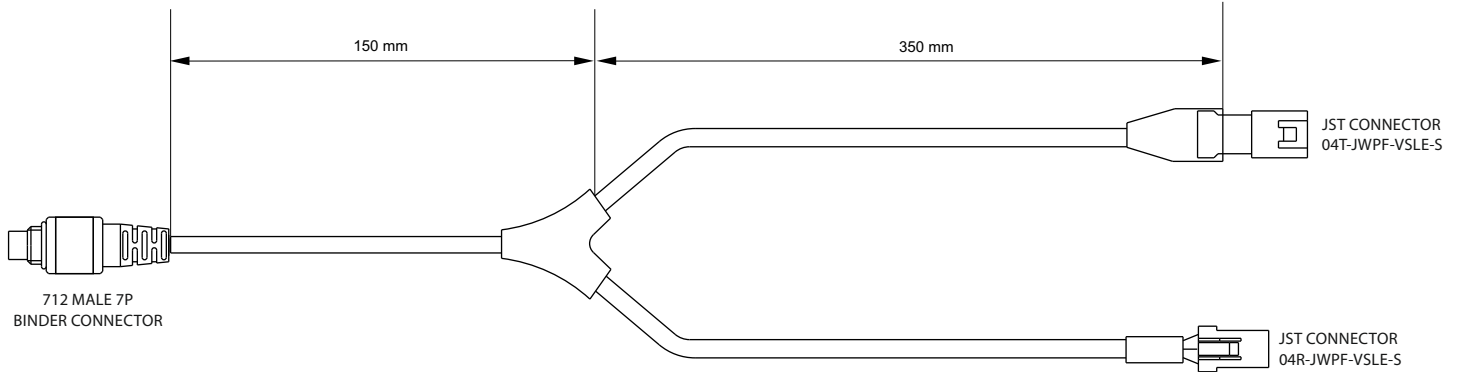
AiM ECU Yarara

PLUG 'N PLAY ECU FOR YAMAHA ATV

Optional cables

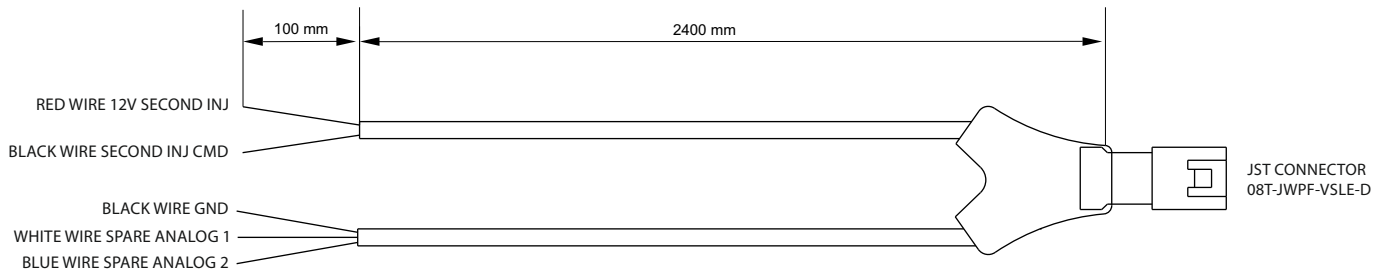
4 Solo 2 DL extension cable 50 cm

Part number V02589120



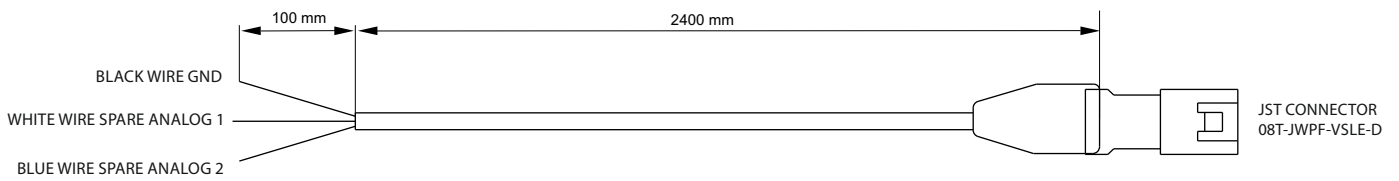
5 Analog channels and second injection harness

Part number V02596060



6 Analog channels harness

Part number V02596070





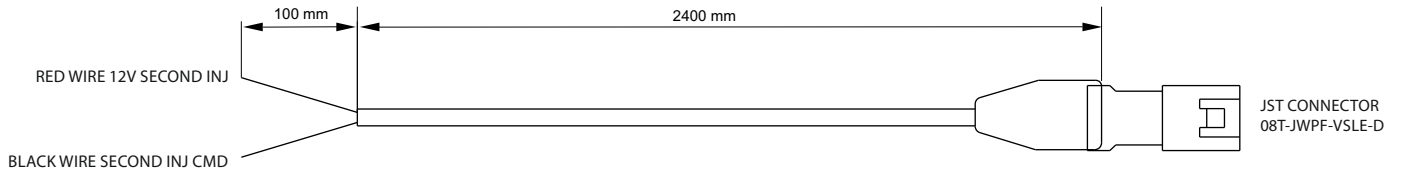
AiM ECU Yarara

PLUG 'N PLAY ECU FOR YAMAHA ATV

Optional cables

7 Second injection harness

Part number V02596080



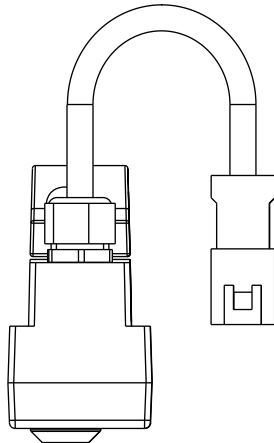
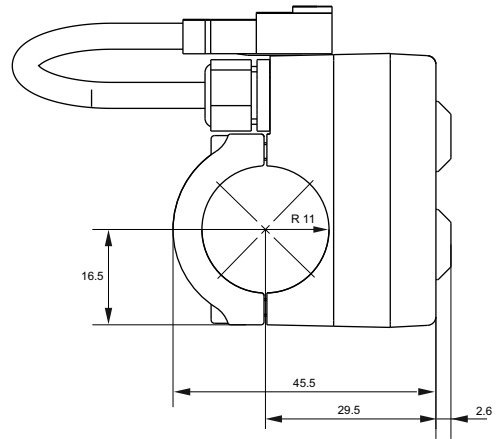
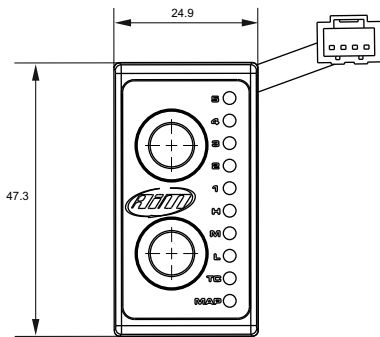


AiM ECU Yarara

PLUG 'N PLAY ECU FOR YAMAHA ATV

Accessories:

Handlebar Switch





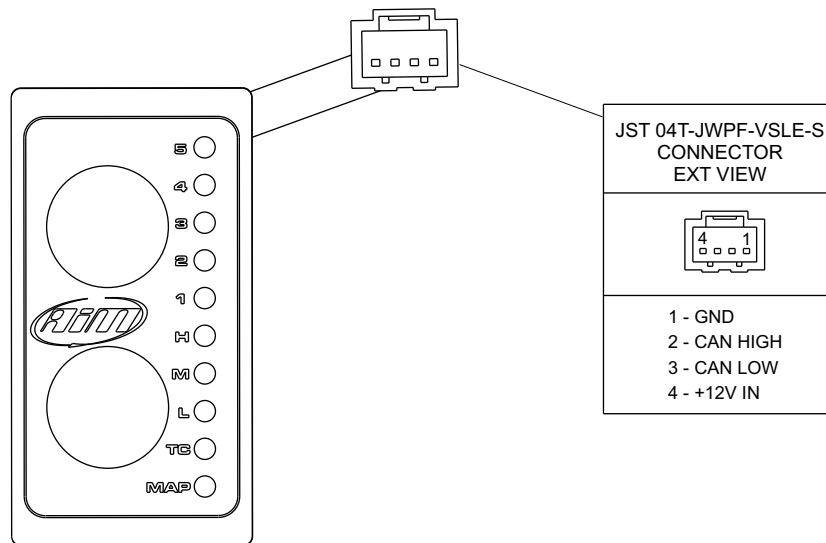
AiM ECU Yarara

PLUG 'N PLAY ECU FOR YAMAHA ATV

Accessories:

Handlebar Switch technical specifications and pinout

- JST waterproof connector for CAN Bus communication
- Connector: n.1 JST 04T-JWPF-VSLE-S Connector
- Body: PA6 + 30% glass fiber
- Dimensions: 47.3x24.9x48.1 mm
- Waterproof: IP67
- Weight: 70 g





AiM ECU Yarara

PLUG 'N PLAY ECU FOR YAMAHA ATV

Accessories:

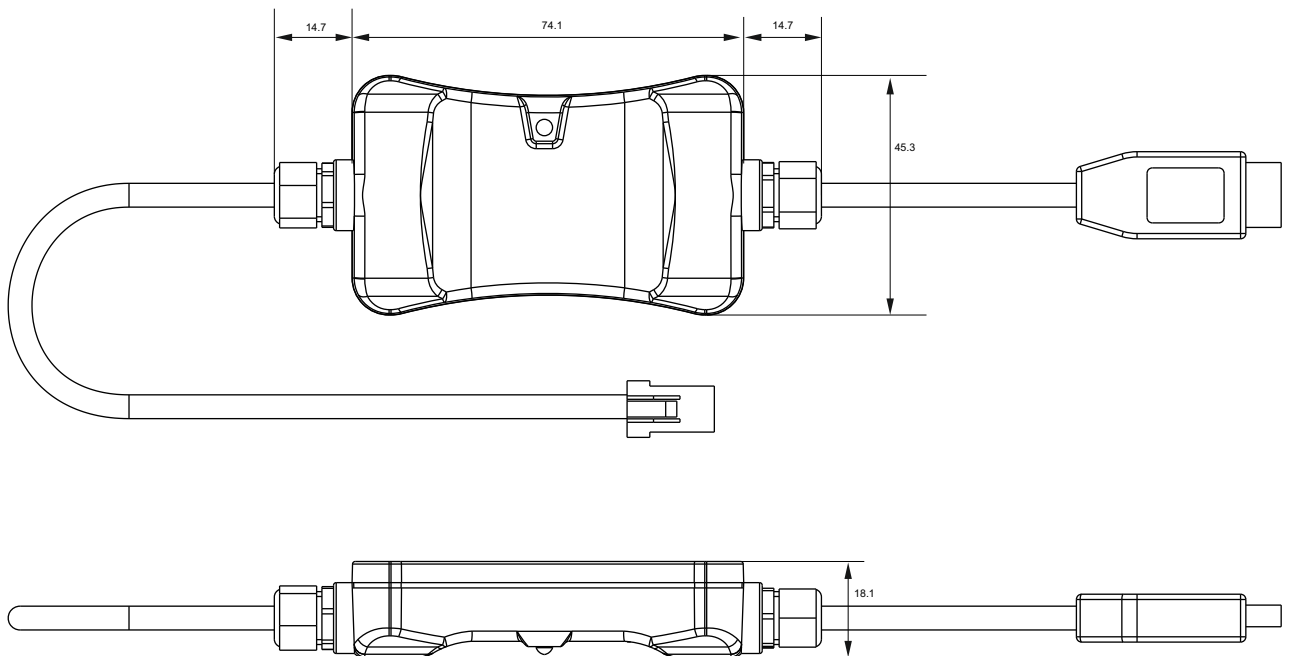
UC Bridge



User license



Tuner license





AiM ECU Yarara

PLUG 'N PLAY ECU FOR YAMAHA ATV

Accessories:

UC Bridge technical specifications and pinout

- Connectors: n.1 USB connection for PC
n.1 JST 04R-JWPF-VSLE-S waterproof Connector for CAN Bus communication
- Body: PA6 + 30% glass fiber
- Dimensions: 103.5x45.3x18.1 mm
- Waterproof: IP65
- Weight: 80 g

