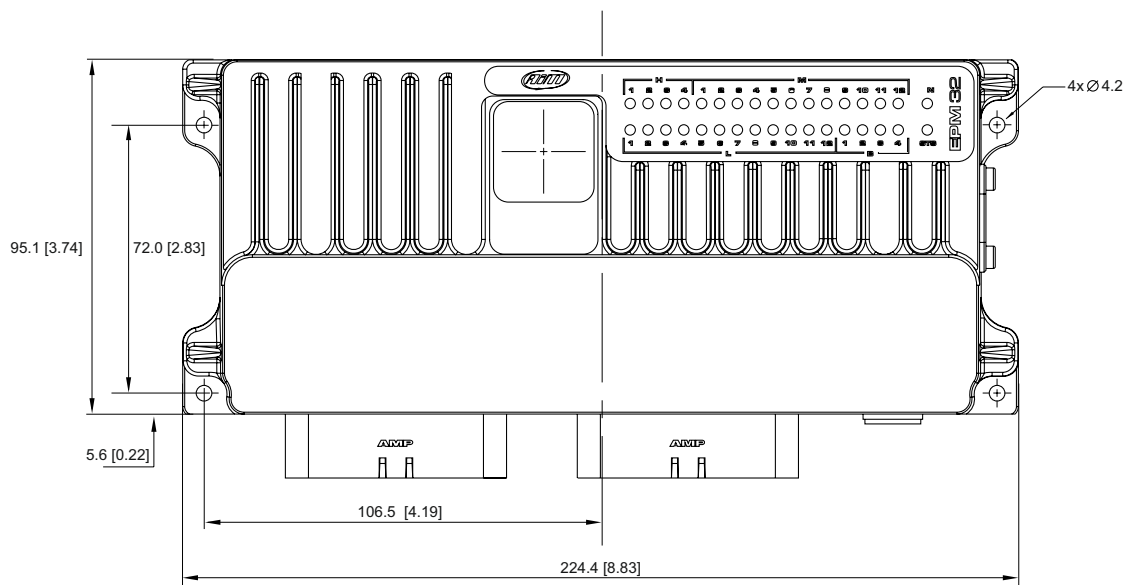
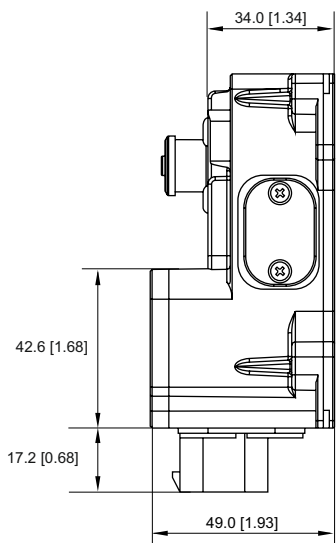
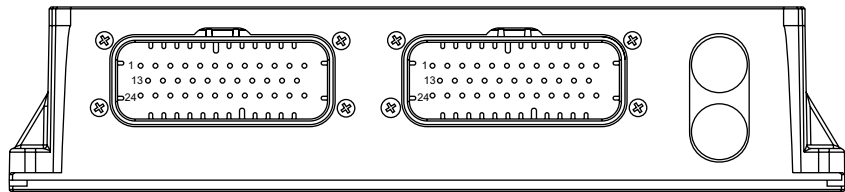




AiM EPM32

Expansion Power Module





AiM EPM32

Expansion Power Module

Technical specifications

LEDs	32 RGB LEDs + 1 EPM ON + 1EPM STS (Status)
Inputs	12 inputs (8 configurable as analogic or digital, 4 digital only) Up to 8 analogic inputs recorded at max 500 Hz each Digital inputs pullup/pulldown
Power outputs	1 with series diode + 3 rated up to 20A (high side) 12 rated up to 15A (high side) 12 rated up to 10A (high side) 4 rated up to 35A (high side/half bridge/low side/configurable) Protected for: over voltage, under voltage, short circuit, over current, over temperature Total max current: 120 A
Power supply	9-15 V
Connectors	2 AMP connectors + 1 Amphenol Surlok connector
Body	Anodized Aluminum
Dimensions	224.4 x 95.1 x 49.0 mm
Weight	740 g
Waterproof	IP65

Part number

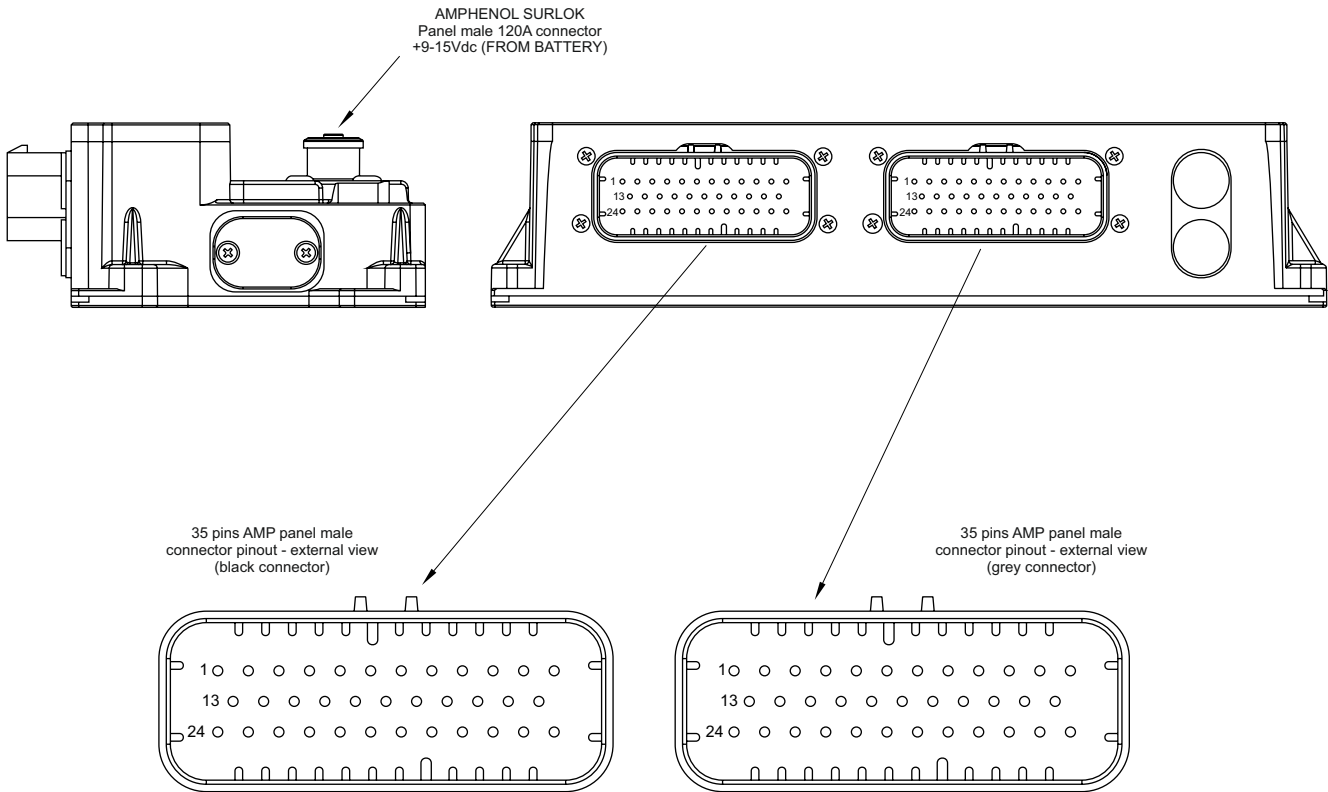
XC1EPM3201	EPM32
-------------------	-------



AiM EPM32

Expansion Power Module

Pinout



PIN	DESCRIPTION	PIN	DESCRIPTION
1 ●	High power output 1	19	Low power output 6
2	Mid power output 1	20	Low power output 7
3	Mid power output 2	21	Low power output 8
4	Mid power output 3	22	CAN AiM High
5	Mid power output 4	23	High power output 2
6	Mid power output 5	24	High power output 3
7	Mid power output 6	25	High power output 3
8	Mid power output 7	26	Channel input 11
9	Mid power output 8	27	Channel input 12
10	GND	28	RESERVED
11	CAN AiM Low	29	RESERVED
12	High power output 2	30	RESERVED
13 ●	High power output 1	31	RESERVED
14	Low power output 1	32	RESERVED
15	Low power output 2	33	RESERVED
16	Low power output 3	34	High power output 4
17	Low power output 4	35	High power output 4
18	Low power output 5		

PIN	DESCRIPTION	PIN	DESCRIPTION
1	Half bridge power output 1	19	RESERVED
2	Half bridge power output 1	20	RESERVED
3	Low power output 9	21	Channel input 9
4	Mid power output 9	22	Channel input 10
5	Mid power output 10	23	Ignition
6	Low power output 10	24	Half bridge power output 3
7	Low power output 11	25	Half bridge power output 3
8	Mid power output 11	26	Channel input 1
9	Mid power output 12	27	Channel input 2
10	Low power output 12	28	Channel input 3
11	Half bridge power output 2	29	Channel input 4
12	Half bridge power output 2	30	Channel input 5
13	P GND	31	Channel input 6
14	P GND	32	Channel input 7
15	RESERVED	33	Channel input 8
16	+5V Analog Vreference	34	Half bridge power output 4
17	+Vb out	35	Half bridge power output 4
18	GND		

● High Power Out 1 has internal serie diode