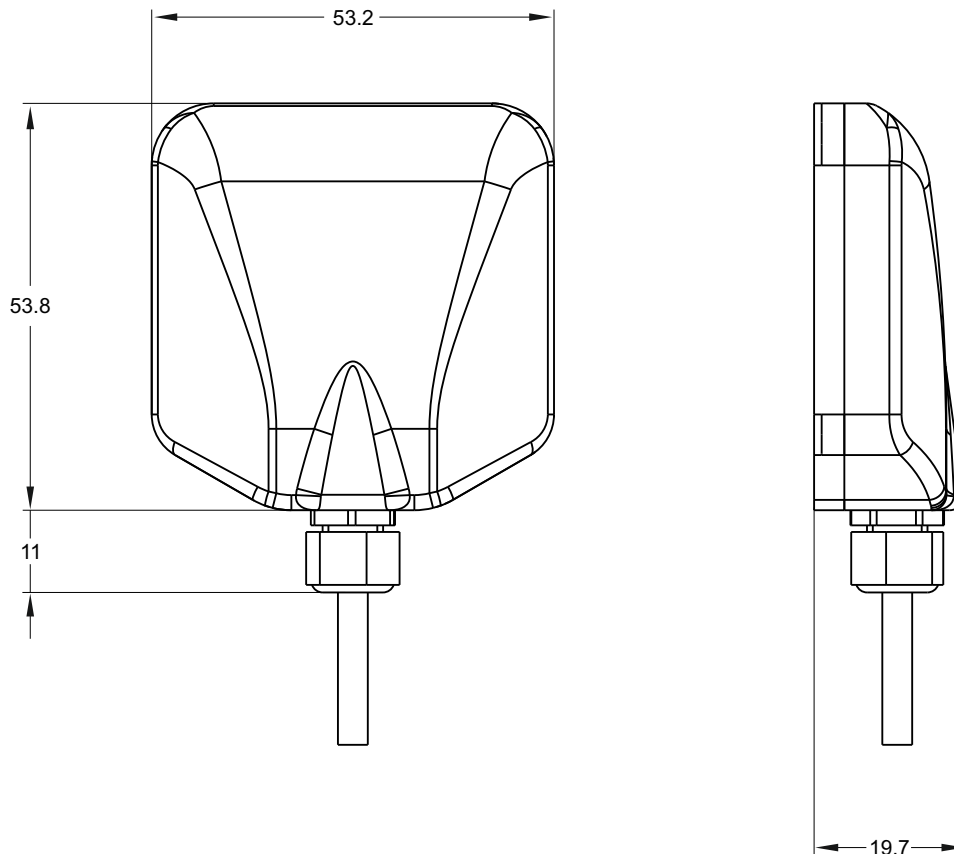




AiM GPS09 Module

Expansion





AiM GPS09 Module

Expansion

In the box

GPS09 Module with cable (see the lengths below)

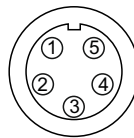
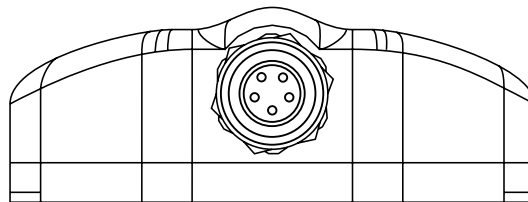
Compatibility

EVO4S, EVO5, MXL2, MXG, MXG 1.2, MXG 1.2 Strada, MXP, MXP Strada, MXS, MXS 1.2, MXS 1.2 Strada, MXK10, MK2E

Part numbers

X40GPS090050	GPS09 Module with 50 cm length cable
X40GPS090130	GPS09 Module with 1.3 m length cable
X40GPS090200	GPS09 Module with 2 m length cable
X40GPS090400	GPS09 Module with 4 m length cable
X40GPS09R200	GPS09 Module "roof version" with 2 m length cable
X40GPS09R400	GPS09 Module "roof version" with 4 m length cable
X40GPS090200S	GPS09 Module for SmartyCam HD with 2 m length cable
X40GPS090400S	GPS09 Module for SmartyCam HD with 4 m length cable
X40GPS09R200S	GPS09 Module "roof version" for SmartyCam HD with 2 m length cable
X40GPS09R400S	GPS09 Module "roof version" for SmartyCam HD with 4 m length cable

Pinout



5 pins Binder 712 male connector pinout	
1	CAN +
2	GND
3	+Vb
4	CAN-
5	n.c.