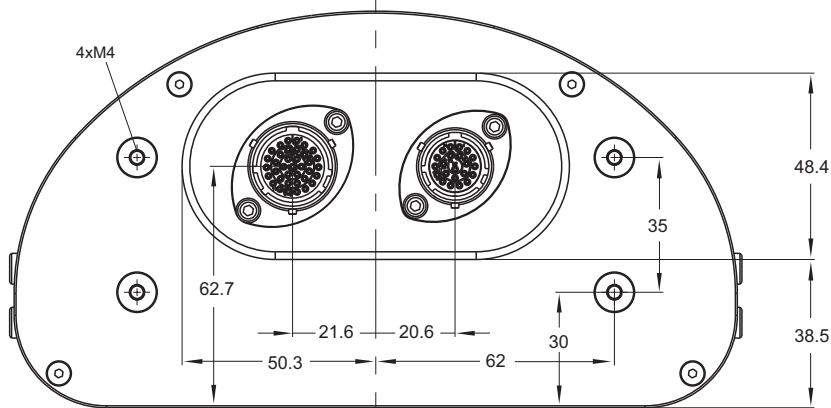
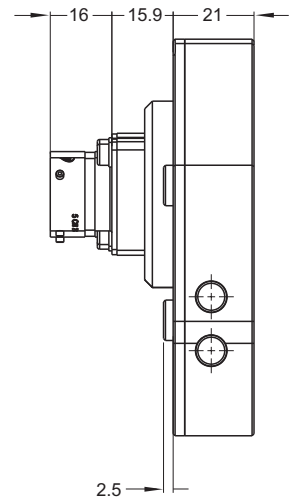
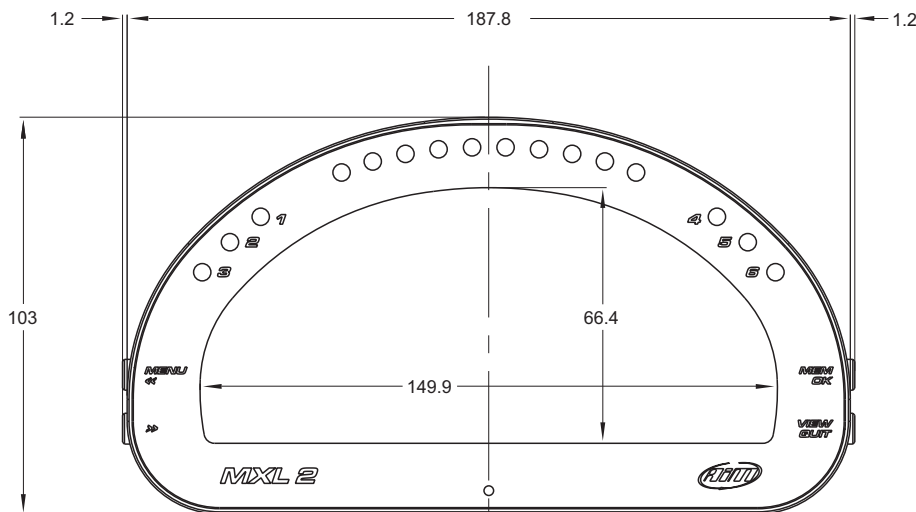




# AiM MXL2

Dash logger





# AiM MXL2

## Dash logger

### Technical specifications

<b>Display</b>	LCD display + graphical portion
<b>Backlight</b>	White or red
<b>Ambient light sensor</b>	Yes
<b>Alarm LEDs</b>	6 configurable RGB LEDs
<b>Shift Lights</b>	10 configurable RGB LEDs
<b>CAN connections</b>	3
<b>ECU connection</b>	CAN, RS232 or K-Line to 1,000+ industry leading ECUs
<b>External modules</b>	GPS Module, Channel Expansion, Thermocouple Expansion, Lambda Controller, SmartyCam HD
<b>Analog inputs</b>	8 fully configurable, max 1,000 Hz each
<b>Digital inputs</b>	4 Speed inputs, lap signal, coil RPM input
<b>Digital outputs</b>	2 (1 Amp max each)
<b>Second CAN</b>	Yes
<b>WiFi connection</b>	Yes
<b>Inertial platform</b>	Internal 3 axis $\pm 5G$ accelerometer + 3 axis gyro
<b>Internal memory</b>	4 GB
<b>Body</b>	Anodized Aluminum
<b>Pushbuttons</b>	Metallic
<b>Connectors</b>	2 Motorsport connectors
<b>Dimensions</b>	187.8x103x21 mm
<b>Weight</b>	530 g
<b>Power consumption</b>	400 mA
<b>Waterproof</b>	IP65



# AiM MXL2

## Dash logger

### In the box

MXL2, GPS Module with cable, USB cable, 37 pins standard harness, Race Studio 3 software

### Part numbers

**X18MXL2GPS130**      MXL2 + GPS Module with 1.30 m cable length  
**X18MXL2GPS400**      MXL2 + GPS Module with 4.00 m cable length

### Spare parts

**V02573010**      37 pins standard harness  
**X40GPS5B130**      GPS Module with 1.30 m cable length  
**X40GPS5B400**      GPS Module with 4.00 m cable length  
**V02573030**      USB adapter  
**X90TMPC002**      USB cable

### Optionals

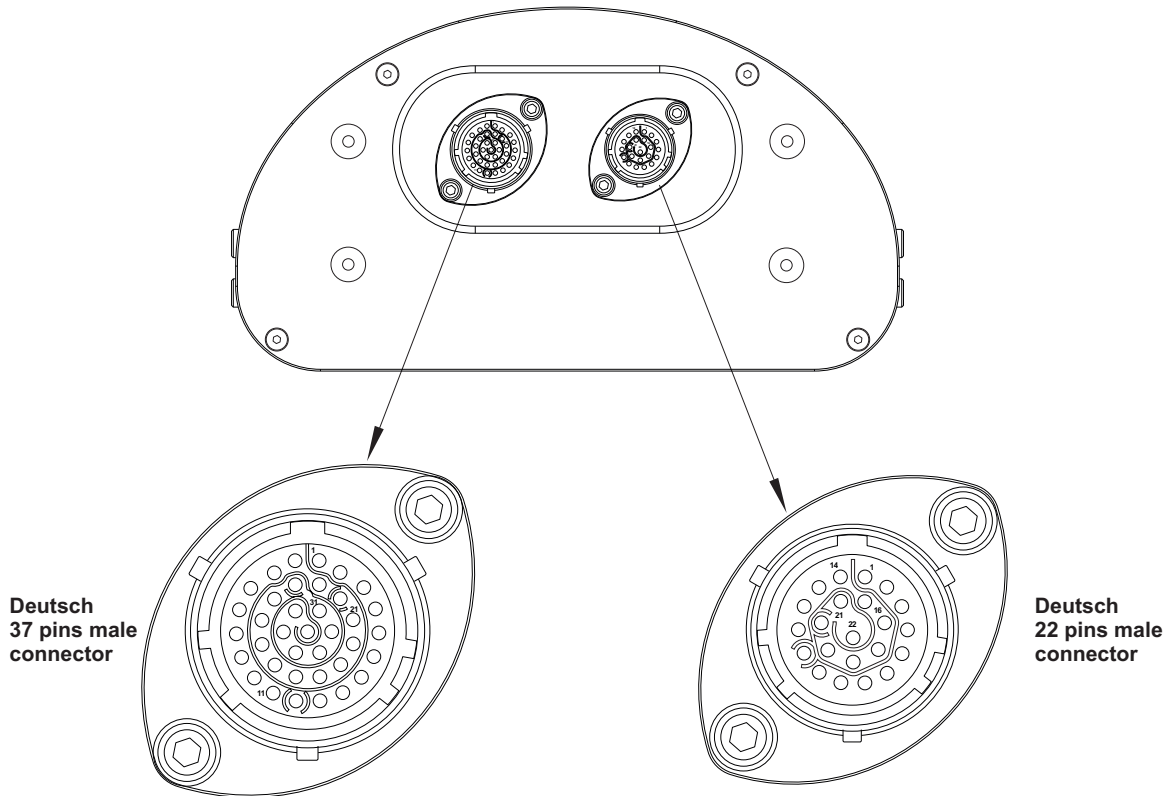
**V02573020**      22 pins harness  
**V02573080**      22 pins harness with 1 thermocouple  
**V02573160**      22 pins harness with 2 thermocouples  
**V02573040**      37 pins harness with 1 thermocouple  
**V02573050**      37 pins harness with 2 thermocouples  
**5CN822F00**      22 pin female Deutsch connector  
**5CN837F00**      37 pin female Deutsch connector



# AiM MXL2

## Dash logger

### Pinout



Deutsch  
37 pins male  
connector

Deutsch  
22 pins male  
connector

37 pins Deutsch connector pin	Pin function
1	9-15V Power input
2	Battery GND
3	CAN+ Exp
4	GND
5	+Vbattery CAN
6	CAN- Exp
7	+Vb ext
8	CAN1+ ECU
9	CAN 1- ECU
10	K-Line GND
11	K-Line ECU
12	USB D+
13	USB D-
14	GND
15	RPM
16	GND
17	+Vbattery
18	Optical lap
19	Speed
20	GND
21	+Vbattery
22	Analog input 1
23	Analog GND
24	+Vbattery
25	+Vreference
26	Analog input 2
27	Analog GND
28	+Vbattery
29	+Vreference
30	Analog input 3
31	Analog GND
32	+Vbattery
33	+Vreference
34	Analog input 4
35	Analog GND
36	+Vbattery
37	+Vreference

22 pins Deutsch connector pin	Pin function
1	Analog input 5
2	Analog GND
3	+Vbattery
4	+Vreference
5	Analog input 6
6	Analog input 7
7	Analog GND
8	+Vbattery
9	+Vreference
10	Analog input 8
11	Speed 2
12	GND
13	+Vbattery
14	Speed3
15	Speed4
16	GND
17	CAN2+ ECU
18	CAN2- ECU
19	Digital output 1
20	Digital output 2
21	ECU RS232RX
22	ECU RS2R2TX