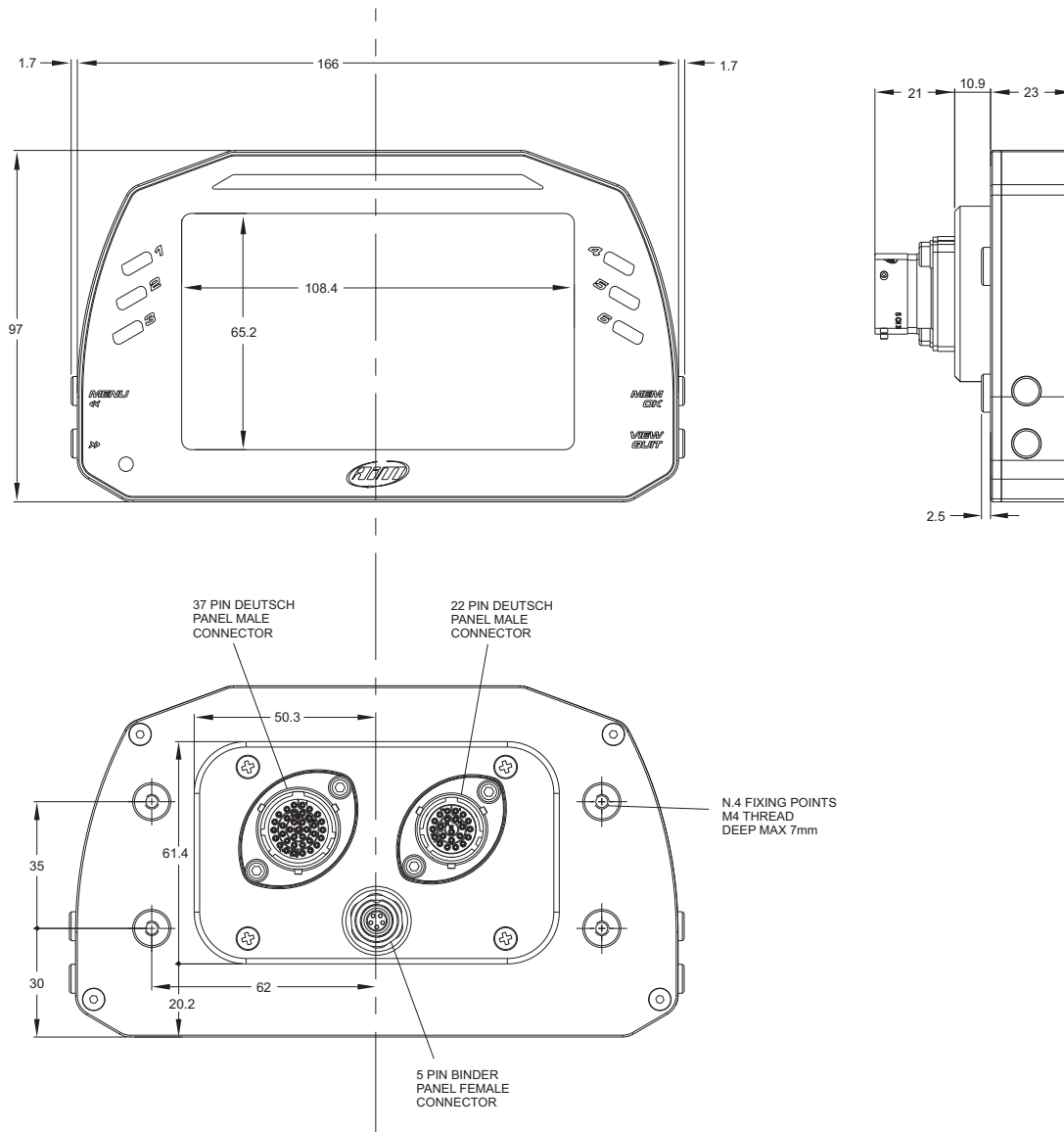
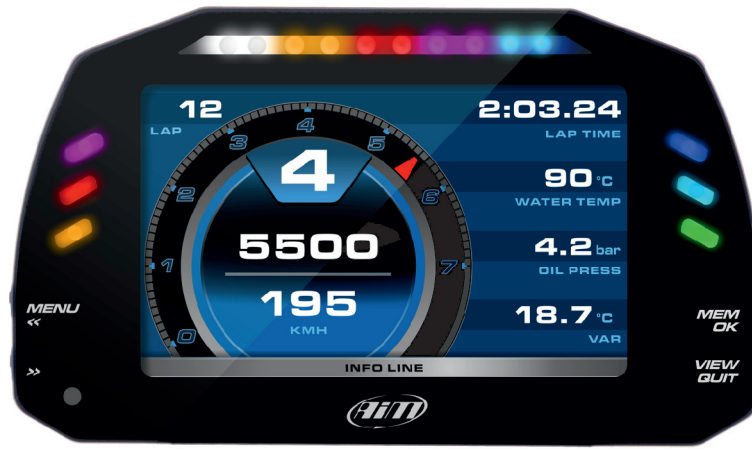




AiM MXS 1.2

Dash logger





AiM MXS 1.2

Dash logger

Technical specifications

Display	5" TFT
Resolution	800x480 pixels
Contrast	600:1
Brightness	700cd/m2 - 1,100 Lumen
Ambient light sensor	Yes
Alarm LEDs	6 configurable RGB LEDs
Shift Lights	10 configurable RGB LEDs
CAN connections	3
ECU connection	CAN, RS232 or K-Line to 1,000+ industry leading ECUs
External modules	GPS Module, Channel Expansion, Thermocouple Expansion, Lambda Controller, SmartyCam HD
Analog inputs	8 fully configurable, max 1,000 Hz each
Digital inputs	4 Speed inputs, lap signal, coil RPM input
Digital outputs	2 (1 Amp max each)
Second CAN	Yes
WiFi connection	Yes
Inertial platform	Internal 3 axis $\pm 5G$ accelerometer + 3 axis gyro + 3 axis magnetometer
Internal memory	4 GB
Body	Anodized Aluminum
Pushbuttons	Metallic
Connectors	2 Motorsport connectors + 1 Binder connector
Dimensions	169.4 x 97 x 23 mm
Weight	530 g
Power consumption	400 mA
Waterproof	IP65



AiM MXS 1.2

Dash logger

In the box

MXS 1.2, GPS Module with cable, USB cable, 37 pins standard harness, Race Studio 3 software

Part numbers

XA2MXS12A13G1	MXS 1.2 + GPS Module with 1.3 m cable length
XA2MXS12A20G1	MXS 1.2 + GPS Module with 2 m cable length
XA2MXS12A40G1	MXS 1.2 + GPS Module with 4 m cable length
XA2MXS12A20R1	MXS 1.2 + GPS Module «roof» version with 2 m cable length
XA2MXS12A40R1	MXS 1.2 + GPS Module «roof» version with 4 m cable length
XA2MXS12I40G1	MXS 1.2 «Street icons» version + GPS Module with 4 m cable length

Spare parts

V02573010	37 pins standard harness
X40GPS08AM0130	GPS Module with 1.30 m cable length
X40GPS08AM0400	GPS Module with 4.00 m cable length
V02573200	USB adapter
X90TMPC002	USB cable

Optionals

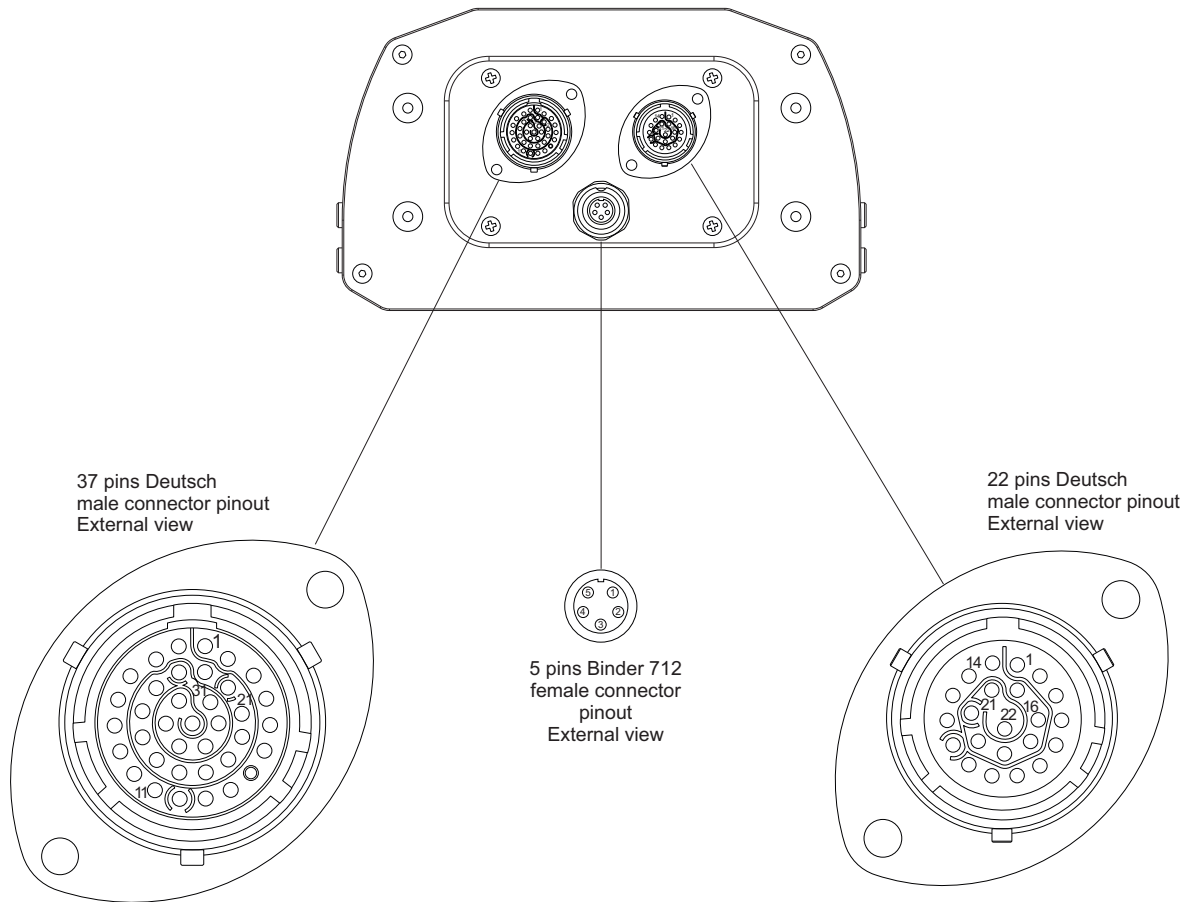
V02573020	22 pins harness
V02573080	22 pins harness with 1 thermocouple
V02573160	22 pins harness with 2 thermocouples
V02573040	37 pins harness with 1 thermocouple
V02573050	37 pins harness with 2 thermocouples
5CN822F00	22 pin female Deutsch connector
5CN837F00	37 pin female Deutsch connector



AiM MXS 1.2

Dash logger

Pinout



Pin	Deutsch 37 pin
1	9-15V Power input
2	Battery GND
3	CAN+ Exp
4	GND
5	+Vbattery CAN
6	CAN- Exp
7	+Vb Ext
8	CAN1+ ECU
9	CAN 1- ECU
10	GND
11	K Line ECU
12	USB D+
13	USB D-
14	GND
15	RPM
16	GND
17	+Vbattery
18	Optical Lap
19	Speed1

Pin	Deutsch 37 pin
20	GND
21	+Vbattery
22	Analog Input 1
23	Analog GND
24	+Vbattery
25	+Vreference
26	Analog Input 2
27	Analog GND
28	+Vbattery
29	+Vreference
30	Analog Input 3
31	Analog GND
32	+Vbattery
33	+Vreference
34	Analog Input 4
35	Analog GND
36	+Vbattery
37	+Vreference

Pin	Binder
1	Video input 1
2	GND
3	+Vb output Camera
4	GND
5	Video input 2

Pin	Deutsch 22 pin
1	Analog Input 5
2	Analog GND
3	+Vbattery
4	+Vreference
5	Analog Input 6
6	Analog Input 7
7	Analog GND
8	+Vbattery
9	+Vreference
10	Analog Input 8
11	Speed 2
12	GND
13	+Vbattery
14	Speed 3
15	Speed 4
16	GND
17	CAN2+ ECU
18	CAN2- ECU
19	Digital output 1
20	Digital output 2
21	ECU RS232 Rx
22	ECU RS232 Tx



AiM MXS 1.2

Dash logger

Product history

Rev	From serial number	Date	Changes
--	4501724	Jun, 12th 2018	--