



AiM MXS 1.2 Strada

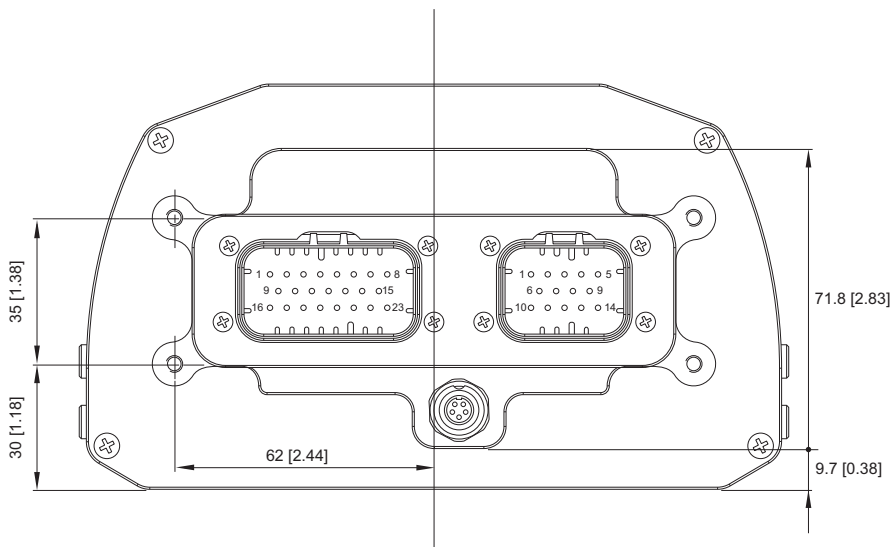
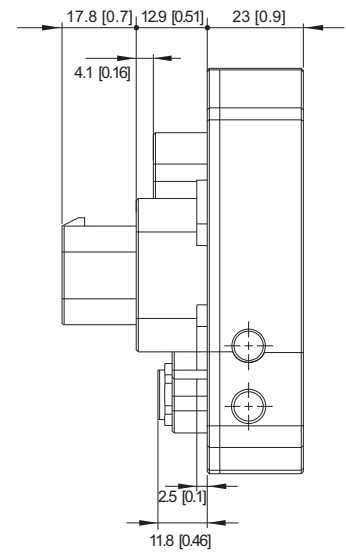
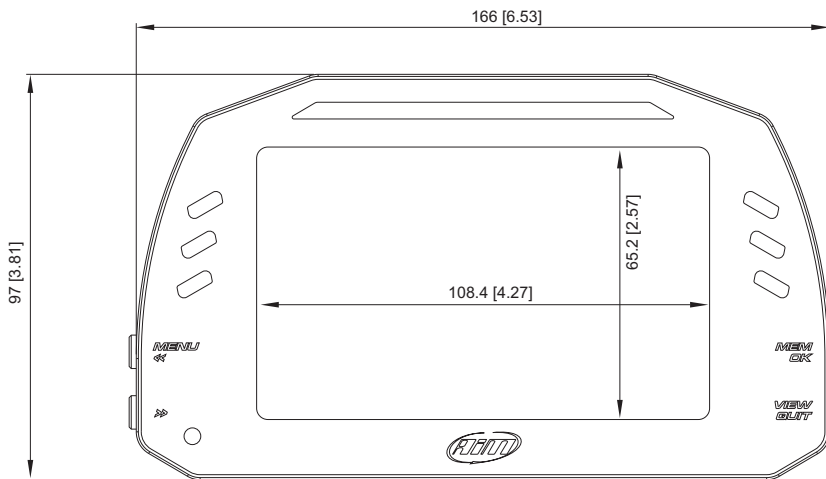
Dash



Standard version



Street icons version





AiM MXS 1.2 Strada

Dash

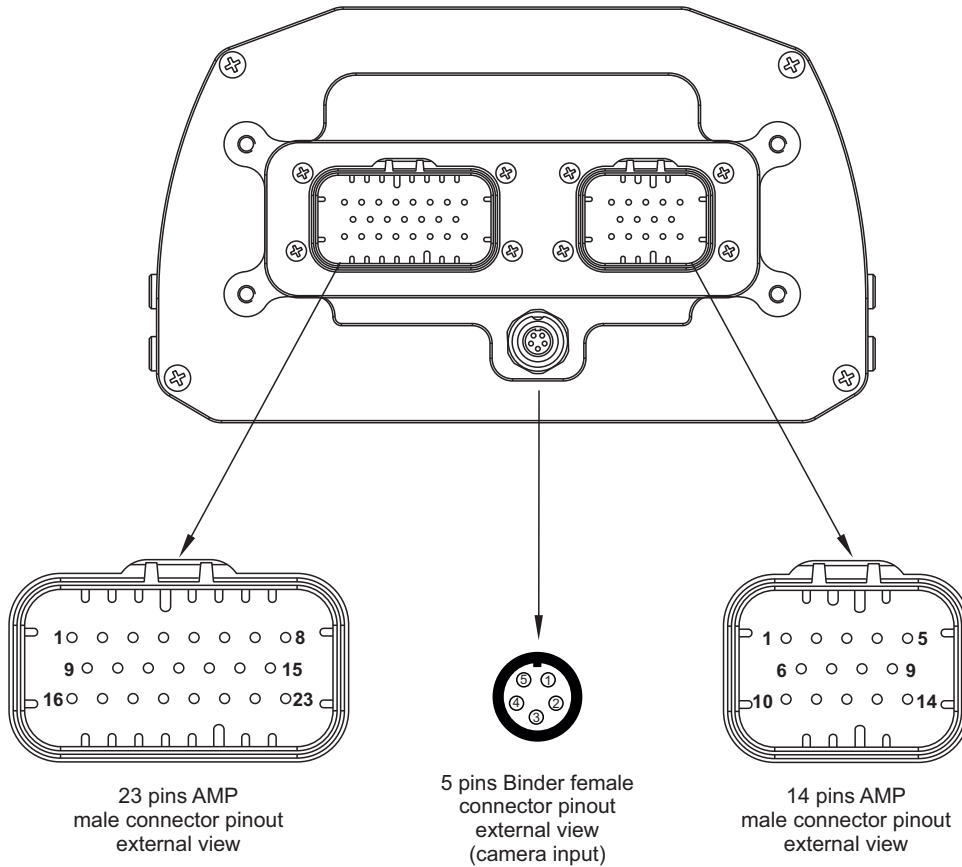
Technical specifications

Display	5" TFT
Resolution	800x480 pixels
Contrast	600:1
Brightness	700cd/m2 - 1,100 Lumen
Ambient light sensor	Yes
Alarm LEDs	6 configurable RGB LEDs
Shift Lights	10 configurable RGB LEDs
CAN connections	2
ECU connection	CAN, RS232 or K-Line to 1,000+ industry leading ECUs
External modules	GPS Module, Channel Expansion, TC Hub, Lambda Controller, SmartyCam HD
Analog inputs	8 fully configurable, max 1,000 Hz each
Digital inputs	1 Speed input, coil RPM input
Digital outputs	1 (1 Amp max)
Second CAN	Yes
Body	Anodized Aluminum
Pushbuttons	Metallic
Connectors	2 AMP connectors + 1 Binder connector
Dimensions	169.4x97x23 mm
Weight	480 g
Power consumption	400 mA
Waterproof	IP65

Part numbers

XA3MXSST12A010	MXS 1.2 Strada with CAN harness (ECU)
XA3MXSST12A020	MXS 1.2 Strada with OBD harness CAN+K (ECU)
XA3MXSST12I010	MXS 1.2 Strada Street icons version with CAN harness (ECU)
XA3MXSST12I020	MXS 1.2 Strada Street icons version with OBD harness CAN+K (ECU)
V02573320	ECU CAN harness for MXS 1.2 Strada
V02573340	OBD harness for MXS 1.2 Strada
V02573330	23 pins AMP connector harness for MXS 1.2 Strada - Standard version (optional)

Pinout



Pin	Function
1	Analog input 1
2	Analog GND
3	+Vb output
4	+Vreference
5	Analog input 2
6	Analog input 3
7	Analog GND
8	+Vb output
9	+Vreference
10	Analog input 4
11	Analog input 5
12	Analog GND
13	+Vreference
14	Analog input 6
15	Analog input 7
16	+Vreference
17	Analog input 8
18	Speed input
19	GND
20	Low Side output
21	RPM input
22	CAN 2+
23	CAN 2-

Pin	Function
1	Video input 1
2	GND
3	+Vb output camera
4	GND
5	Video input 2

Pin	Function
1	9-15v Power input
2	Battery GND
3	CAN+ Exp
4	GND
5	+Vb out CAN
6	CAN- Exp
7	+Vb Ext CAN
8	CAN1+/ECU RS232TX
9	CAN1-/ECU RS232RX
10	K Line ECU
11	USB D+
12	USB D-
13	USB GND
14	Reserved