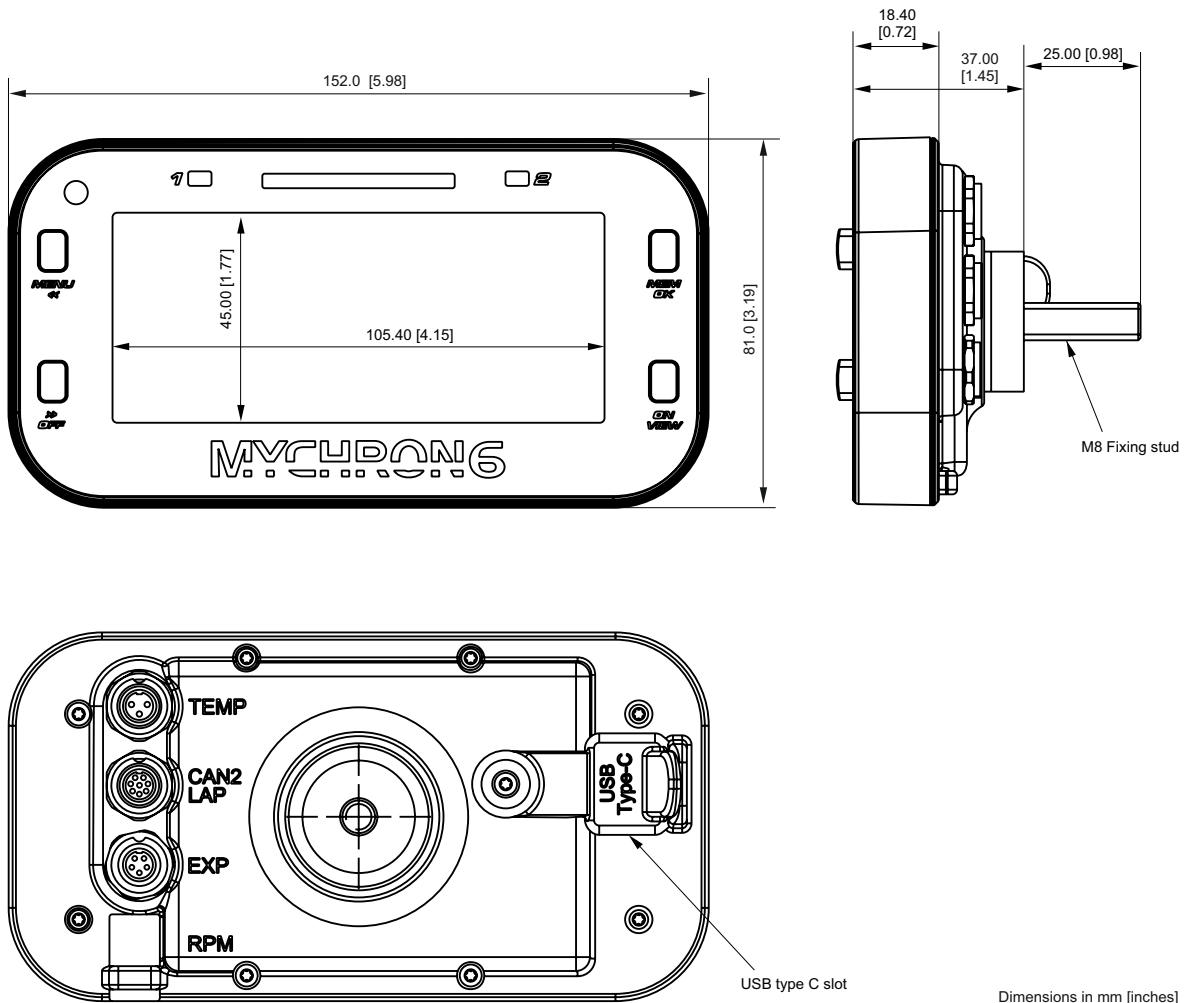




AiM MyChron6/6 2T

Dash logger

MyChron6

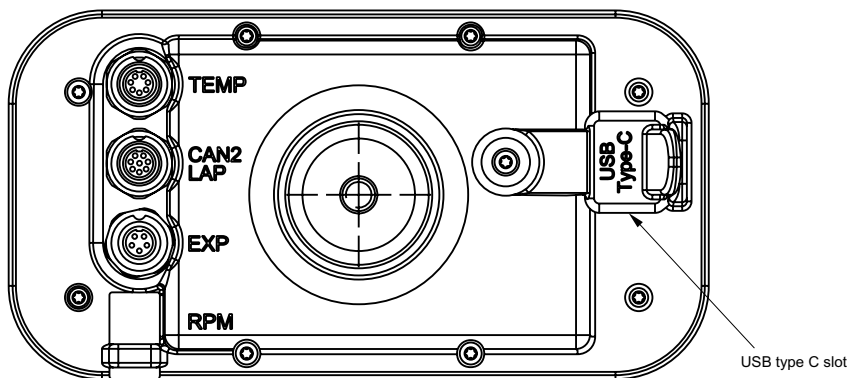
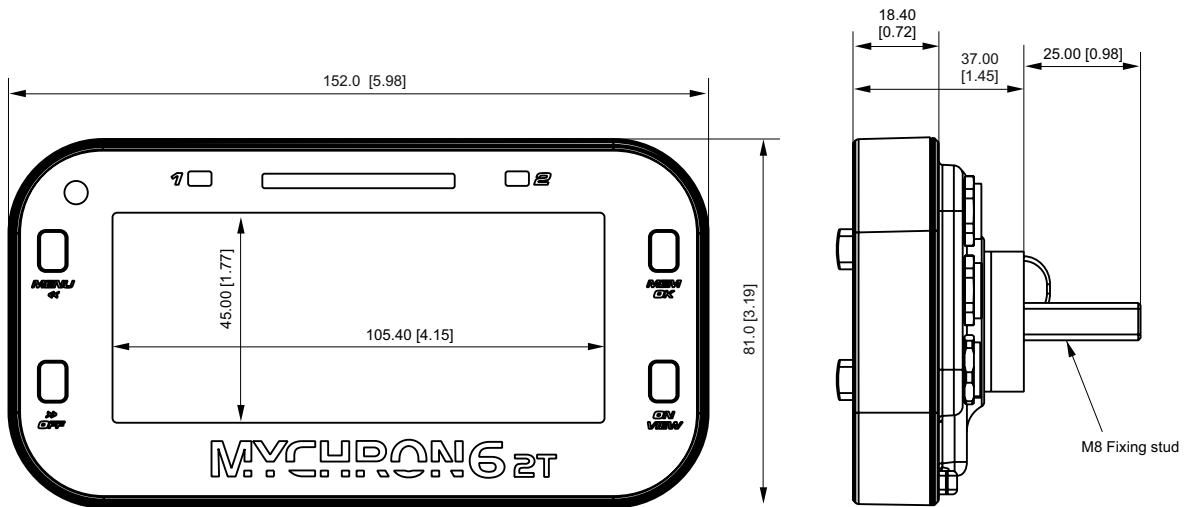




AiM MyChron6/6 2T

Dash logger

MyChron6 2T



Dimensions in mm [inches]



AiM MyChron6/6 2T

Dash logger

Technical specifications



	MyChron6	MyChron6 2T
Display	Graphical	Graphical
Display resolution	320x136 pixels	320x136 pixels
Backlight	8 configurable RGB colors	8 configurable RGB colors
Shift lights/alarm LEDs	5 + 2 configurable RGB LEDs	5 + 2 configurable RGB LEDs
Integrated track database	Yes	Yes
Wi-Fi connection	Yes	Yes
Bluetooth connection	Yes	Yes
GPS	25 Hz	25 Hz
External power	9÷15 V	9÷15 V
CAN connections	2	2
Connectors	1 Binder 712 fem 3 pins connector 1 Binder 712 fem 8 pins connector 1 Binder 712 fem 5 pins connector	1 Binder 712 fem 7 pins connector 1 Binder 712 fem 8 pins connector 1 Binder 712 fem 5 pins connector
USB connection	For data download, mass storage support and battery charge	For data download, mass storage support and battery charge
Temperature inputs	1	2
Inertial platform	6 axis, frequency 50 Hz	6 axis, frequency 50 Hz
Digital inputs	Optical lap signal Magnetic lap signal	Optical lap signal Magnetic lap signal
Digital outputs*	1, programmable high/low activation	1, programmable high/low activation
External modules	MyChron Expansion IR Temperature Controller SmartyCam 3 Series Lambda (LCU-One and LCU1S)	MyChron Expansion IR Temperature Controller SmartyCam 3 Series Lambda (LCU-One and LCU1S)
Memory	4 GB	4 GB
Internal battery type	Rechargeable Lithium	Rechargeable Lithium
Battery life	20 h approx.	20 h approx.
Body	PA6 GS30%	PA6 GS30%
Dimensions	152.0 x 81.0 x 37 mm	152.0 x 81.0 x 37 mm
Weight	370 g	370 g
Waterproof	IP67	IP67

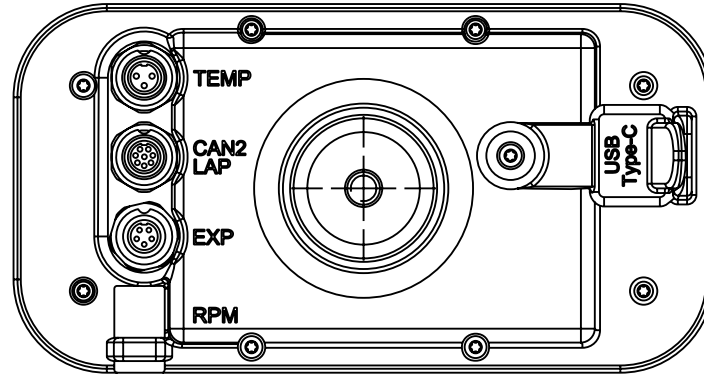
* Available when external power supply is present



AiM MyChron6/6 2T

Dash logger

Pinout MyChron6



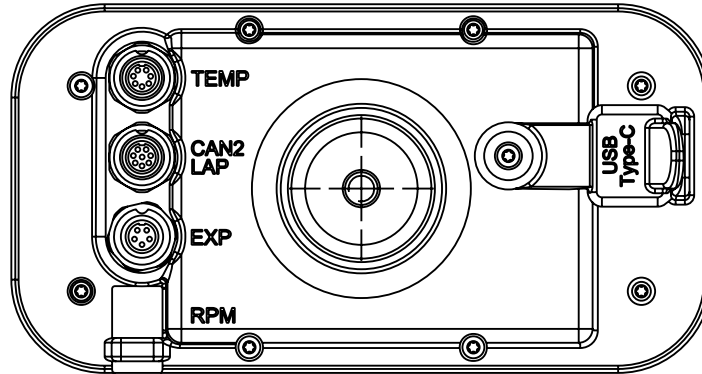
TEMP 3 pins Binder 712 female connector (external view)	CAN2 LAP 8 pins Binder 712 female connector (external view)	EXP 5 pins Binder 712 female connector (external view)
1 - Thermocouple + 2 - GND/Thermocouple - 3 - Thermoresistor	1 - CAN2 H 2 - CAN2 L 3 - Digital Out 4 - Optical Lap 5 - +Vb Out 6 - GND 7 - Magnetic Lap 8 - Reserved	1 - CAN+ Exp 2 - GND 3 - +Vbout CAN 4 - CAN- Exp 5 - +Vbext CAN






AiM MyChron6/6 2T

Dash logger

Pinout MyChron6 2T



TEMP 7 pins Binder 712 female connector (external view)	CAN2 LAP 8 pins Binder 712 female connector (external view)	EXP 5 pins Binder 712 female connector (external view)
 <ul style="list-style-type: none"> 1 - Thermocouple 1+ 2 - Thermocouple 1- 3 - Thermocouple 2+ 4 - GND/Thermocouple 2- 5 - Thermoresistor 1 6 - GND 7 - Thermoresistor 2 	 <ul style="list-style-type: none"> 1 - CAN2 H 2 - CAN2 L 3 - Digital Out 4 - Optical Lap 5 - +Vb Out 6 - GND 7 - Magnetic Lap 8 - Reserved 	 <ul style="list-style-type: none"> 1 - CAN+ Exp 2 - GND 3 - +Vbout CAN 4 - CAN- Exp 5 - +Vbext CAN