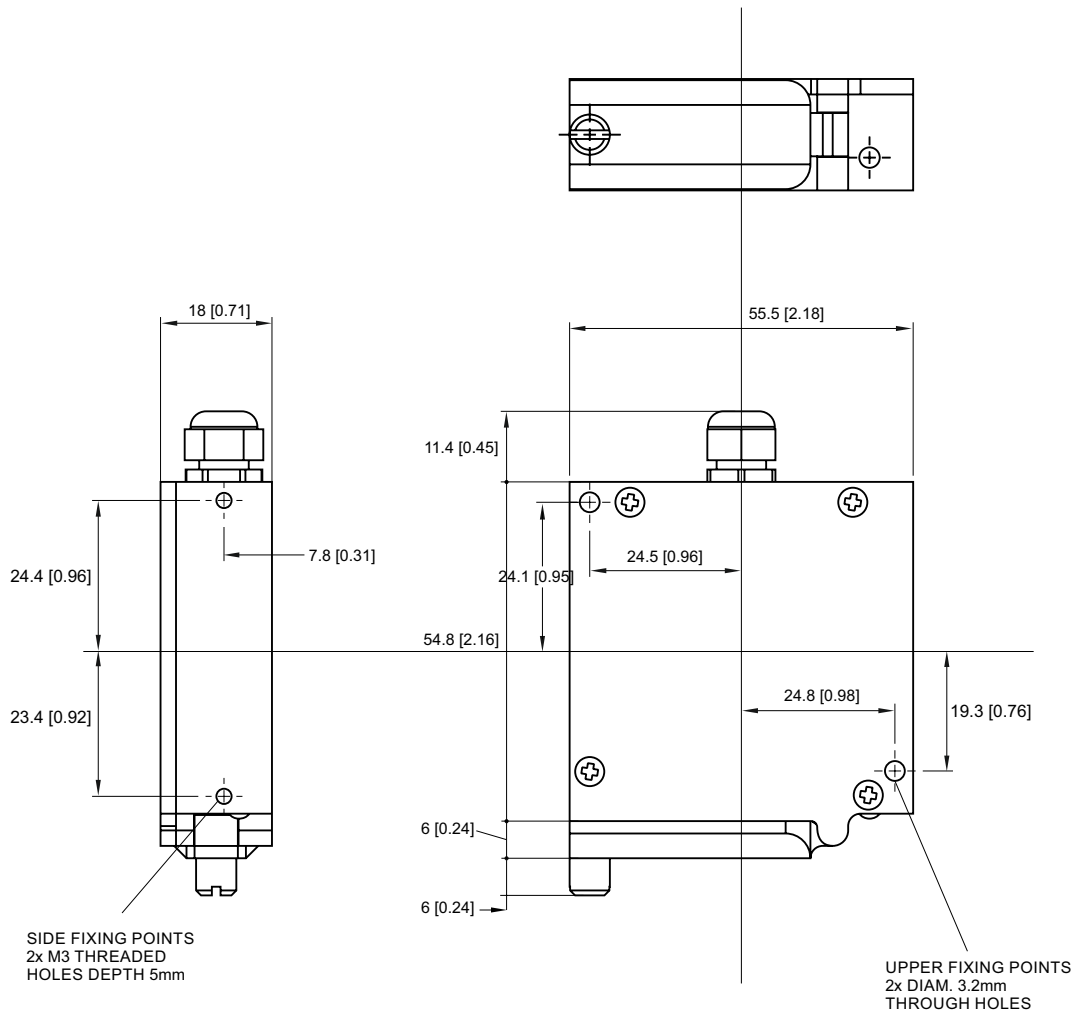




Strada Kit

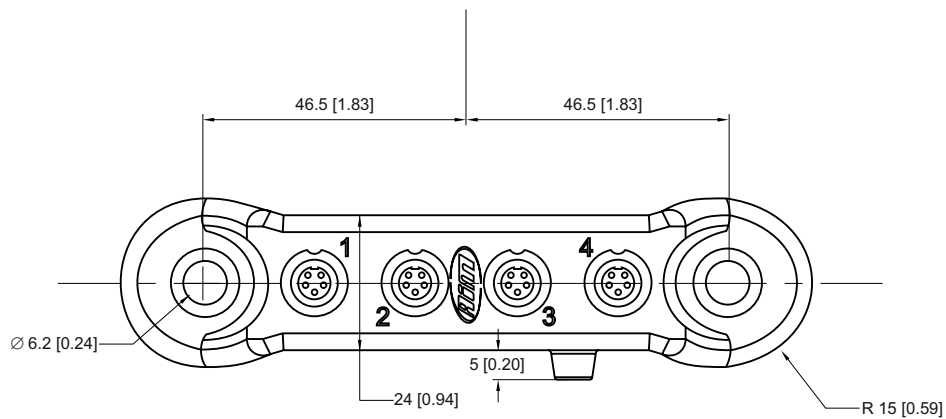
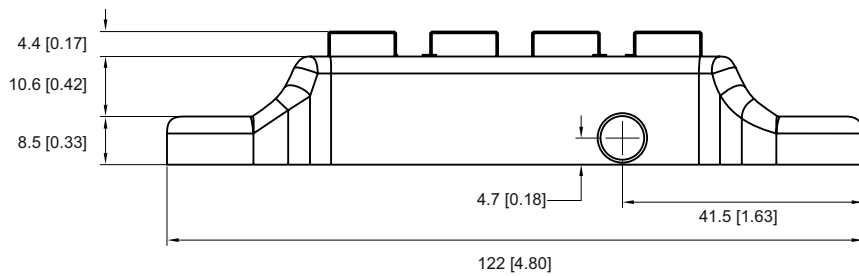
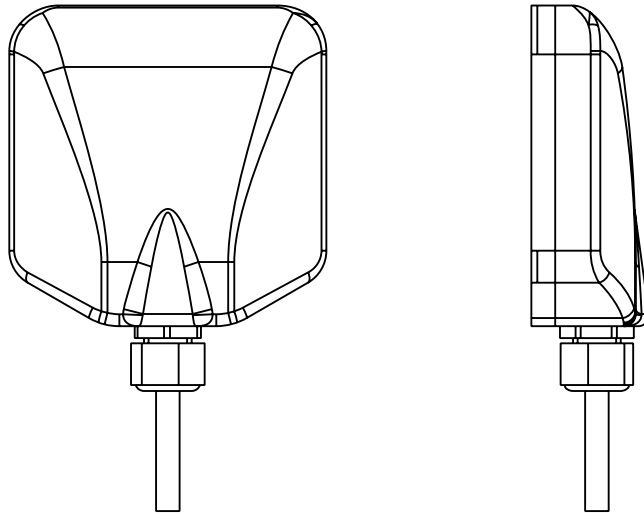
Strada Logger + GPS09 Module + Data Hub





Strada Kit

Strada Logger + GPS09 Module + Data Hub





Strada Kit

Strada Logger + GPS09 Module + Data Hub

Strada Logger technical specifications

Max power consumption	50 mA
Cable length	20/40 cm
SD Card	Supports up to 32 GB
Dimensions	55.5 x 78.2 x 18 mm
Weight	103 g
Waterproof	IP65

Four ways Data Hub technical specifications

CAN cable length	40 cm
Dimensions	122x30.2x23.5 mm
Weight	97 g
Waterproof	IP65

GPS09 Module

Dimensions	64.8x53.2x19.7 mm
Weight	60.5 g

In the box

Strada Logger, GPS09 Module, Data Hub

Part numbers

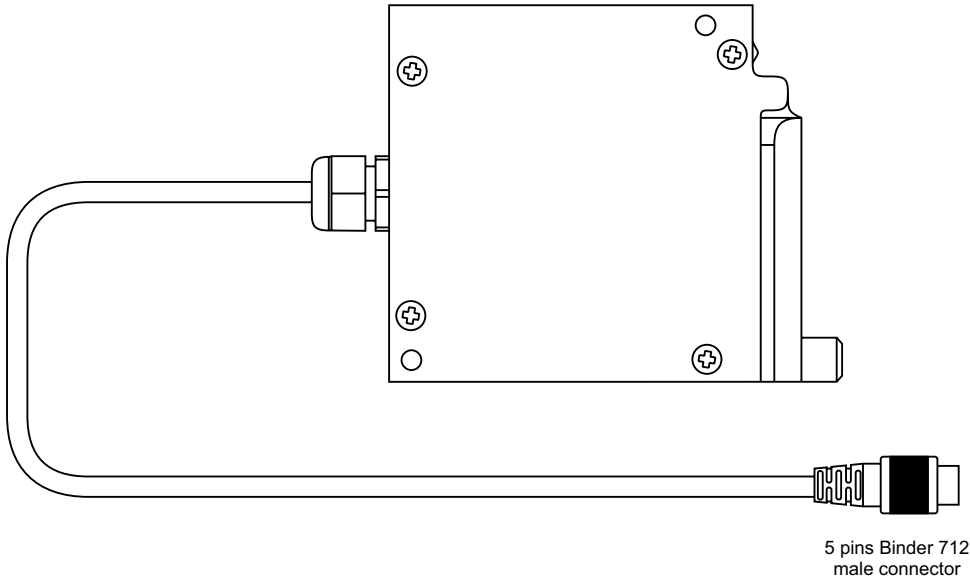
X08MMD04G13DH04	Strada Logger 40 cm, GPS09 Module 1,3 m, Data Hub 40 cm
X08MMD04G2DH04	Strada Logger 40 cm, GPS09 Module 2 m, Data Hub 40 cm
X08MMD04G4DH04	Strada Logger 40 cm, GPS09 Module 4 m, Data Hub 40 cm
X08MMD040SL	Strada Logger
X08DHUB010	Four ways Data Hub
X40GPS090130	GPS09 with 1,3 m cable
X40GPS090200	GPS09 with 2 m cable
X40GPS090400	GPS09 with 4 m cable



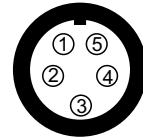
Strada Kit

Strada Logger + GPS09 Module + Data Hub

Strada Logger pinout



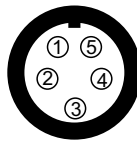
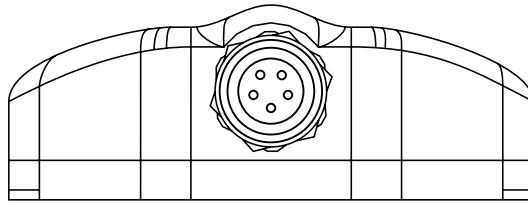
5 pins Binder 712 male connector



5 pins Binder 712 male connector front view

- 1 - CAN High
- 2 - GND
- 3 - +Vb
- 4 - CAN Low
- 5 - nc

GPS09 Module pinout



5 pins Binder 712 male connector front view

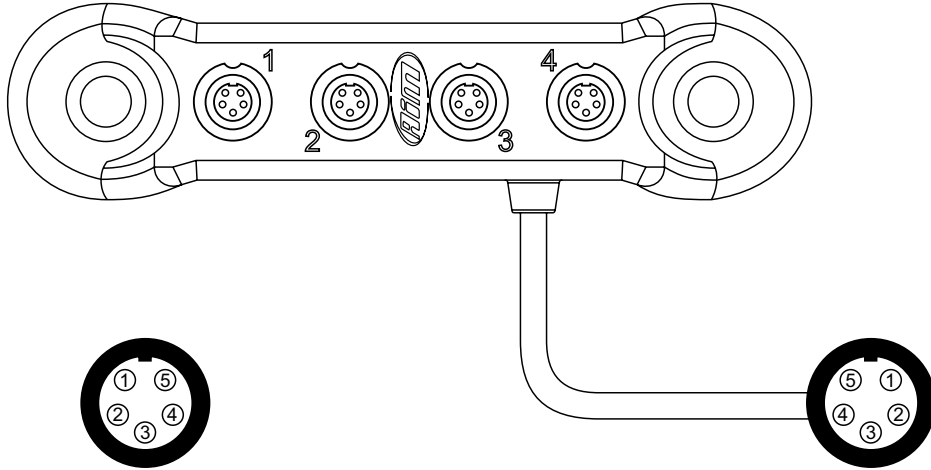
- 1 - CAN High
- 2 - GND
- 3 - +Vb
- 4 - CAN Low
- 5 - nc



Strada Kit

Strada Logger + GPS09 Module + Data Hub

Data Hub pinout



5 pins Binder 712
female connector pinout
solder termination view

5 pins Binder 712
male connector pinout
solder termination view

Positions 1-4 5 pins Binder 712 female connector pinout
1 - CAN+ 2 - GND 3 - +Vb 4 - CAN- 5 - +Vbext

5 pins Binder 712 male connector pinout
1 - CAN+ 2 - GND 3 - +Vb 4 - CAN- 5 - +Vbext