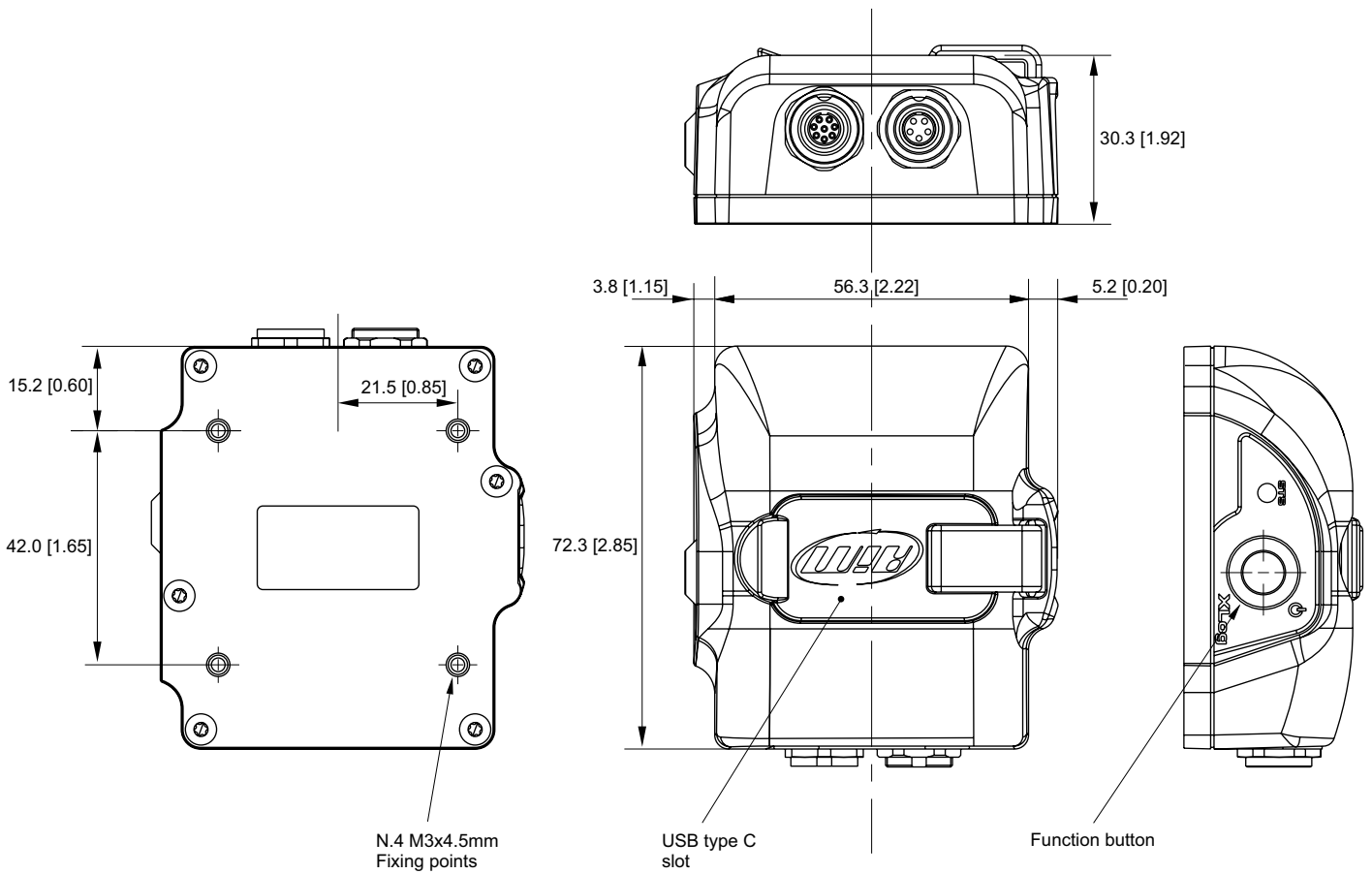




XLog

All purpose logger



Dimensions in mm [inches]



XLog

All purpose logger

Technical specifications

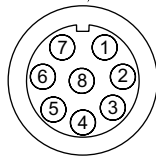
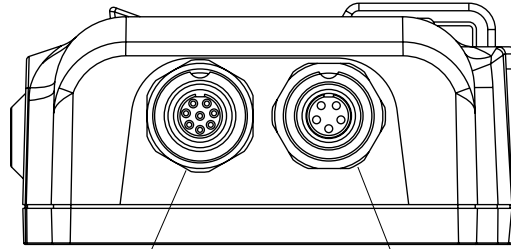
Integrated track database	Yes
Inertial platform	Internal 3 axis $\pm 5G$ accelerometer + 3 axis gyro
USB connection	Yes
Wi-Fi connection	Yes
GPS	25 Hz
ECU connection	CAN, RS232 or K-Line
Expansions	ACC3, LCU Series, SmartyCam 3 Series, external GPS module
RPM input	1
Pushbutton	1
Status LED	1
External power	9÷15 V
Connectors	1 socket (Binder) 712, 5 pins 1 socket (Binder) 712, 8 pins
Memory	4 GB + removable USB-C memory card
Battery type	Rechargeable Lithium
Material	PA6 GS30%
Dimensions	72.3x65.3x30.3 mm
Weight	150 g approx.
Waterproof	IP65



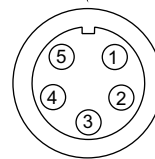
XLog

All purpose logger

Pinout



8 pins Binder 712 female
Binder connector pinout
external view



5 pins Binder 712 female
Binder connector pinout
external view

ECU CONNECTOR	
1	CAN ECU+
2	CAN ECU-
3	+Vbext
4	ECU RS232 TX
5	ECU RS232 RX
6	K-Line
7	GND
8	RPM

EXP CONNECTOR	
1	CAN+
2	GND
3	+Vbout
4	CAN-
5	+Vbext